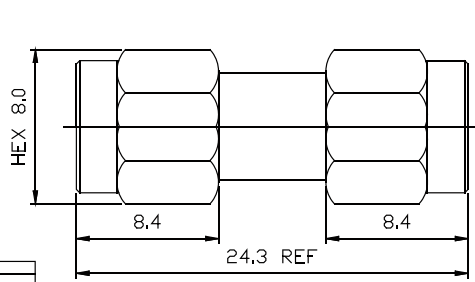


SMA Conn. Series

6	GASKET	RUBBER	RED	2
5	RETAINING RING	BRASS	NICKEL	2
4	SHELL	BRASS	NICKEL	2
3	DIELECTRIC	TEFLON		2
2	PIN	BRASS	GOLD	1
1	BODY	BRASS	NICKEL	1
NO	DESCRIPTION	MATERIAL	FINISH	QTY

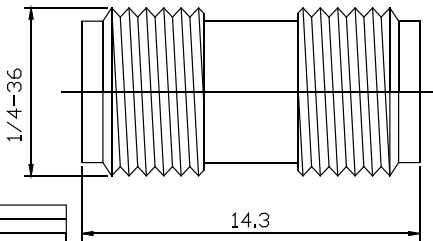
IMPEDANCE	50/75 OHM
FREQUENCY	0-12 GHz
DIELECTRIC WITHSTANDING VOLTAGE 50 Hz RMS	1000V
WORKING VOLTAGE DC	500V
INSULATION RESISTANCE	5000 MEGOHMS MIN
CONTACT RESISTANCE	INNER CONDUCTOR ≤ 3 MILLIOHMS
	OUTER CONDUCTOR ≤ 0.5 MILLIOHMS
INSERTION LOSS (dB MAX.)	STRAIGHT CONNECTOR .15 dB MAX. AT 1.0GHz
	RIGHT ANGLE CONNECTOR .30 dB MAX. AT 1.0GHz



Part No.:SMA004-M □GW-L
5:50Ω 7:75Ω

3	DIELECTRIC	TEFLON		1
2	PIN	BRASS	GOLD	1
1	BODY	BRASS	GOLD	1
NO	DESCRIPTION	MATERIAL	FINISH	QTY

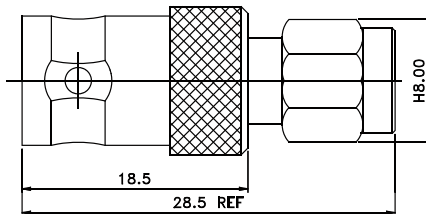
IMPEDANCE	50/75 OHM
FREQUENCY	0-12 GHz
DIELECTRIC WITHSTANDING VOLTAGE 50 Hz RMS	1000V
WORKING VOLTAGE DC	500V
INSULATION RESISTANCE	5000 MEGOHMS MIN
CONTACT RESISTANCE	INNER CONDUCTOR ≤ 3 MILLIOHMS
	OUTER CONDUCTOR ≤ 0.5 MILLIOHMS
INSERTION LOSS (dB MAX.)	STRAIGHT CONNECTOR .15 dB MAX. AT 1.0GHz
	RIGHT ANGLE CONNECTOR .30 dB MAX. AT 1.0GHz



Part No.:SMA005-F □GW-L
5:50Ω 7:75Ω

6	NUT	BRASS	NICKEL	1
5	INSULATOR	DELREN		1
4	INSULATOR	DELREN		1
3	PIN	BRASS	GOLD	1
2	BODY	ZINC	NICKEL	1
1	BODY	BRASS	NICKEL	1
NO	DESCRIPTION	MATERIAL	FINISH	QTY

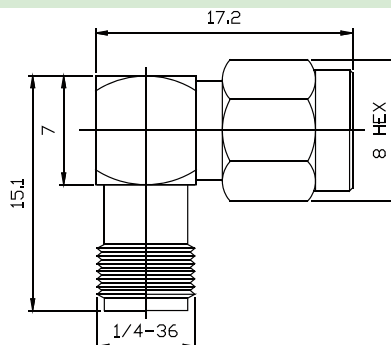
IMPEDANCE	50/75 OHM
FREQUENCY	0-12 GHz
DIELECTRIC WITHSTANDING VOLTAGE 50 Hz RMS	1000V
WORKING VOLTAGE DC	500V
INSULATION RESISTANCE	5000 MEGOHMS MIN
CONTACT RESISTANCE	INNER CONDUCTOR ≤ 3 MILLIOHMS
	OUTER CONDUCTOR ≤ 0.5 MILLIOHMS
INSERTION LOSS (dB MAX.)	STRAIGHT CONNECTOR .15 dB MAX. AT 1.0GHz
	RIGHT ANGLE CONNECTOR .30 dB MAX. AT 1.0GHz



Part No.:SMA006-M □GW-L
5:50Ω 7:75Ω

9	SHELL	BRASS	GOLD	1
7	GASKET	BRASS	GOLD	1
6	RETAINING RING	BRASS	GOLD	1
5	DIELECTRIC	TEFLON		1
4	DIELECTRIC	TEFLON		1
3	PIN	BRASS	GOLD	1
2	BODY	BRASS	GOLD	1
1	BODY	BRASS	GOLD	1
NO	DESCRIPTION	MATERIAL	FINISH	QTY

IMPEDANCE	50/75 OHM
FREQUENCY	0-12 GHz
DIELECTRIC WITHSTANDING VOLTAGE 50 Hz RMS	1000V
WORKING VOLTAGE DC	500V
INSULATION RESISTANCE	5000 MEGOHMS MIN
CONTACT RESISTANCE	INNER CONDUCTOR ≤ 3 MILLIOHMS
	OUTER CONDUCTOR ≤ 0.5 MILLIOHMS
INSERTION LOSS (dB MAX.)	STRAIGHT CONNECTOR .15 dB MAX. AT 1.0GHz
	RIGHT ANGLE CONNECTOR .30 dB MAX. AT 1.0GHz



Part No.:SMA007-M □GW-L
5:50Ω 7:75Ω