

# D-SUB Crimp Type

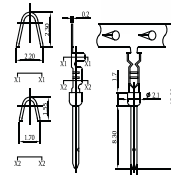
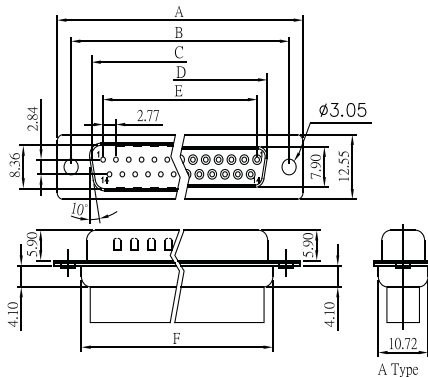
## Specifications

Current Rate:3 AMP  
 Insulation Resistance:1000MΩ Min.  
 Contact Resistance:20mΩ Max.  
 Dielectric Voltage:500V AC for one minute  
 Operation Temperature:-55°C to +105°C

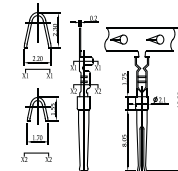
## Material

Insulator:Polyester,UL 94V-0  
 ◎Standard:PBT  
 Terminal:Copper Alloy.

| No. of Contacts | Dim. A | Dim. B | Dim. C | Dim. D | Dim. E | Dim. F |
|-----------------|--------|--------|--------|--------|--------|--------|
| 9               | 30.81  | 24.99  | 16.92  | 16.33  | 11.08  | 19.20  |
| 15              | 39.14  | 33.32  | 25.50  | 24.66  | 19.39  | 27.70  |
| 25              | 53.04  | 47.04  | 38.96  | 36.36  | 33.24  | 41.10  |
| 37              | 69.32  | 63.60  | 55.42  | 54.84  | 49.86  | 57.30  |



PART No.:DBC-MT-L  
1.0 Crimp Pin Male



PART No.:DBC-FT-L  
1.0 Crimp Pin Female

## Order Information

