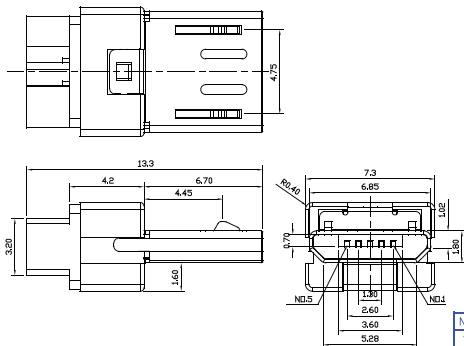


Micro USB Male Solder Type 5P B Type



Part No.:MIUSB-M5S2B-U

No.	Name	Material	Finish	Q'TY	Remark
1	Housing	LCP+GF30%	Black	1	
2	Pin Term.	PBS T=0,20	Tin/Gold Plated	5	Ni:80~120u"; Gold:30u" Tin:120~200u"
3	Shell	Stainless T=0,20	Nickel Plated	1	Ni:80~120u"
4	Cover	LCP+GF30%	Black	1	
5	Spring	Stainless T=0,40		1	