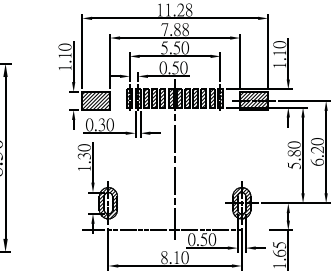
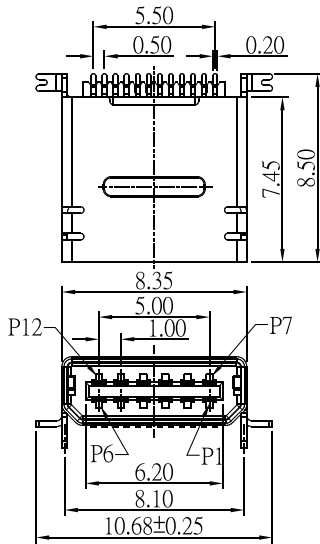
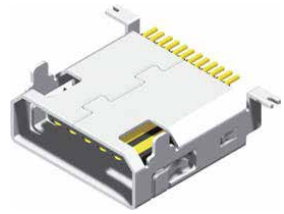
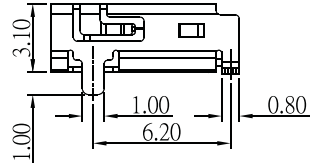


Mini USB Female SMT Type 12P



Recommended PCB Layout
(PCB TOLERANCE ±0.05)



Part No.:MUSB-F12M-U

No.	Parts	QTY	
1	Housing	1	LCP(UL94-V0)Black
2	Contact Pin	12	Copper T=0,2 Under Plated 50u" Min, Nickel Over All Gold Over All, Gold Plated in Contact Area
3	Shell Cover	1	Copper T=0,25 Ni Over All