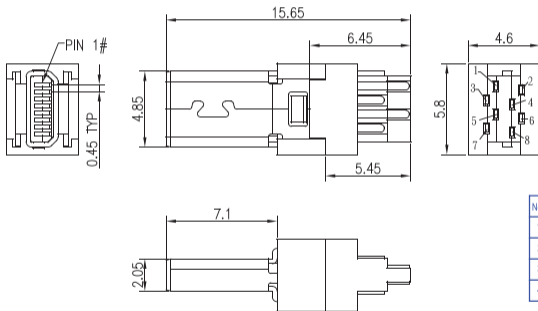


Mini USB Male Solder Type 8P



No.	Description	Q'ty	Material	Treatment
1	Shell	1	Copper Alloy	Nickel
2	Back Housing	1	PBT	Molded Black
3	Front-Shell	1	LCP	Molded Black
4	Contact	8	Copper Alloy	Contact Area: AU 10µ" Min Plating

Part No.:MUSB-M108S-U