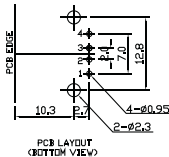
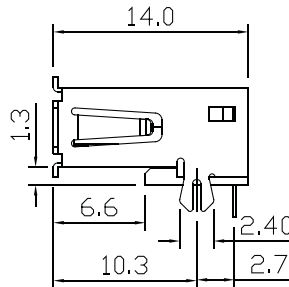
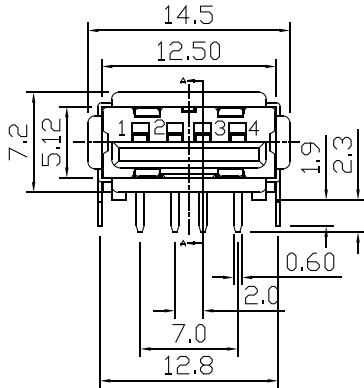


## USB Female Reverse Flat Dip 90° A Type



Part No.: USB-001RD-A  -L

B:Black W:White

No.	Name	Material	Finish	QTY	Remark
1	Housing	PBT G.F.	Black/White	1	
2	Terminal	Phos. Bronze T=0.25	Gold/Tin Plated	4	Gold:1~3 µm; Ni:40~60 µm; Tin:120 µm (100% Pure Tin of Lead Free Plating)
3	Shell	Brass T=0.3	Nickel Plated	1	Ni:80~120 µm