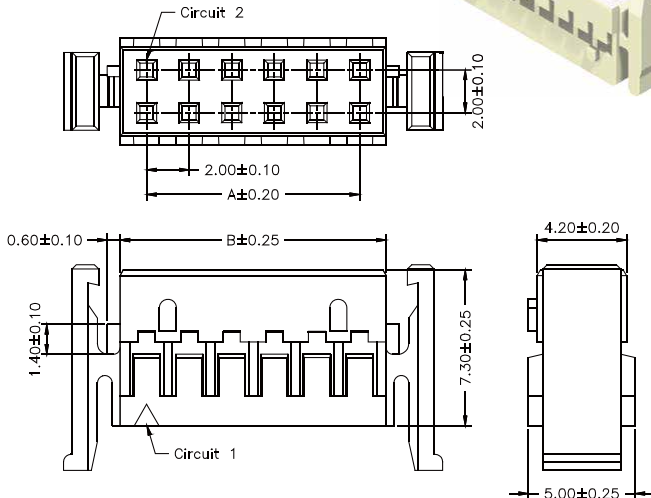
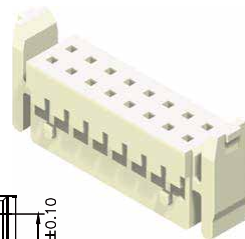


Specifications

Current Rating: 3A AC,DC
 Voltage Rating: 250V AC,DC
 Temperature Range: -25°C to +85°C
 Contact Resistance: 10mΩ Max
 Insulation Resistance: 1000MΩ Min
 Withstanding Voltage: 800V AC/minute
 Material:Nylon 66,UL94V-0
 *Mates With 2004-T & 2004-T-A

Part No.	Dimensions	
	A	B
2004H-202TW1-L	2.00	6.00
2004H-203TW1-L	4.00	8.00
2004H-204TW1-L	6.00	10.00
2004H-205TW1-L	8.00	12.00
2004H-206TW1-L	10.00	14.00
2004H-207TW1-L	12.00	16.00
2004H-208TW1-L	14.00	18.00
2004H-209TW1-L	16.00	20.00
2004H-210TW1-L	18.00	22.00
2004H-211TW1-L	20.00	24.00
2004H-212TW1-L	22.00	26.00
2004H-213TW1-L	24.00	28.00
2004H-214TW1-L	26.00	30.00
2004H-215TW1-L	28.00	32.00
2004H-216TW1-L	30.00	34.00
2004H-217TW1-L	32.00	36.00
2004H-218TW1-L	34.00	38.00
2004H-219TW1-L	36.00	40.00
2004H-220TW1-L	38.00	42.00
2004H-221TW1-L	40.00	44.00
2004H-222TW1-L	42.00	46.00



Part No ·2004H-2XXW1-L