

Specifications

Current Rating: 3A AC,DC

Voltage Rating: 300V AC,DC

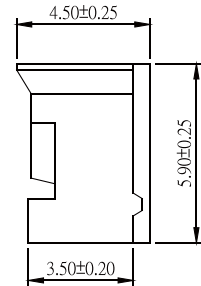
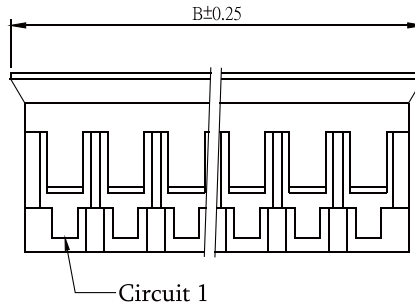
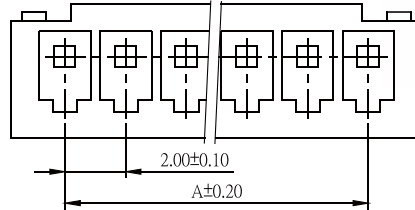
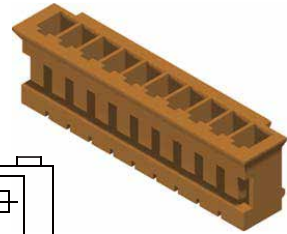
Temperature Range: -25°C to +85°C

Contact Resistance: 20mΩ Max

Insulation Resistance: 100MΩ Min

Withstanding Voltage: 1000V AC/minute

Material:Nylon 66,UL94V-0



Part No.	Dimensions	
	A	B
2007H-02R-L	2.00	5.60
2007H-03R-L	4.00	7.60
2007H-04R-L	6.00	9.60
2007H-05R-L	8.00	11.60
2007H-06R-L	10.00	13.60
2007H-07R-L	12.00	15.60
2007H-08R-L	14.00	17.60
2007H-09R-L	16.00	19.60
2007H-10R-L	18.00	21.60
2007H-11R-L	20.00	23.60
2007H-12R-L	22.00	25.60
2007H-13R-L	24.00	27.60
2007H-14R-L	26.00	29.60
2007H-15R-L	28.00	31.60

Part No.:2007H-XXR-L