

### Specifications

Current Rate:1 AMP

Insulation Resistance:100MΩ Min

Contact Resistance:20mΩ Max

Dielectric Voltage:500V AC for one minute

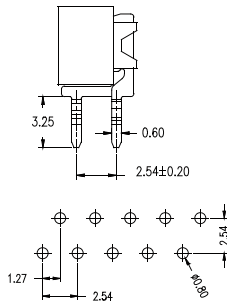
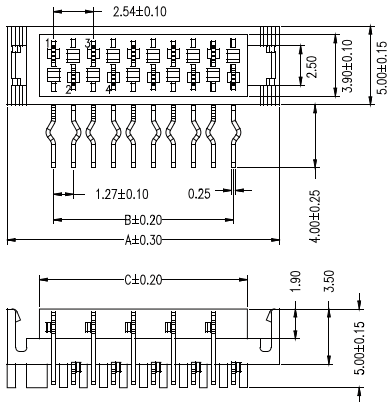
Operation Temperature:-40°C to +105°C

### Material

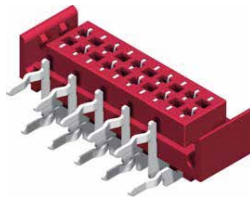
Insulator:Polyester,UL 94V-0

©Standard:Nylon 46

Terminal:Copper Alloy



Recommended PCB Layout  
(PCB TOLERANCE  $\pm 0.05$ )



No. of Contacts	Dimension		
	A	B	C
04	9.70	3.81	5.60
06	12.24	6.35	8.14
08	14.78	8.89	10.68
10	17.32	11.43	13.22
12	19.86	13.97	15.76
14	22.40	16.51	18.30
16	24.94	19.05	20.84
18	27.48	21.59	23.38
20	30.02	24.13	25.92

Part No.:MIMAR-XX-U