

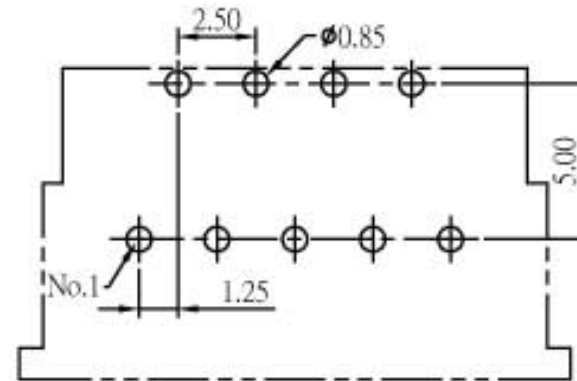
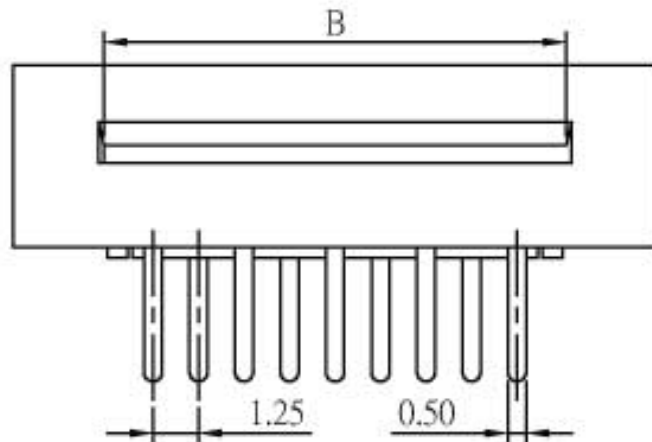
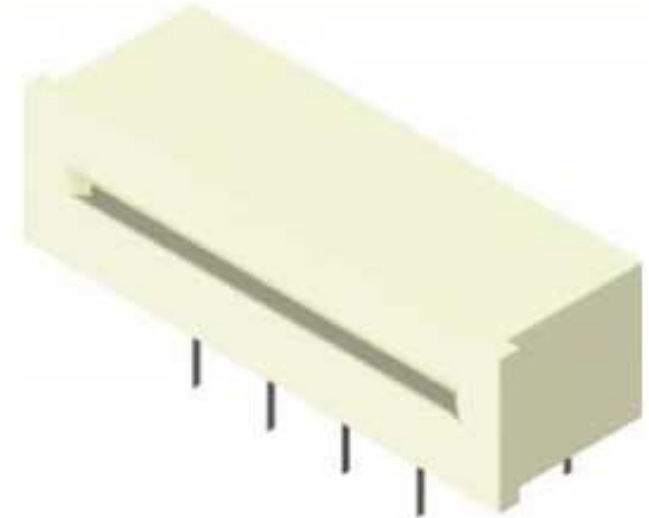
# FPC/FFC 1.25mm ZIF Dip Type Side Entry

## Specifications

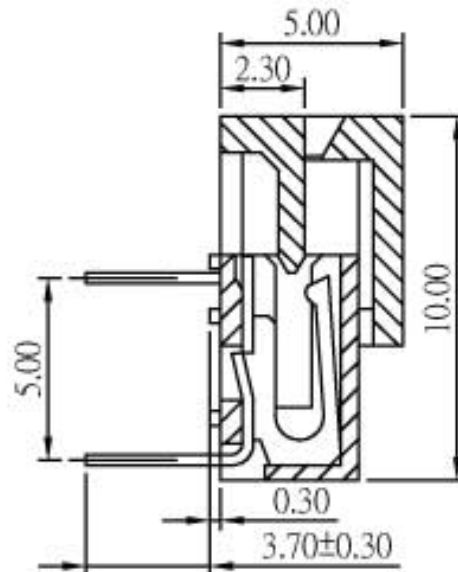
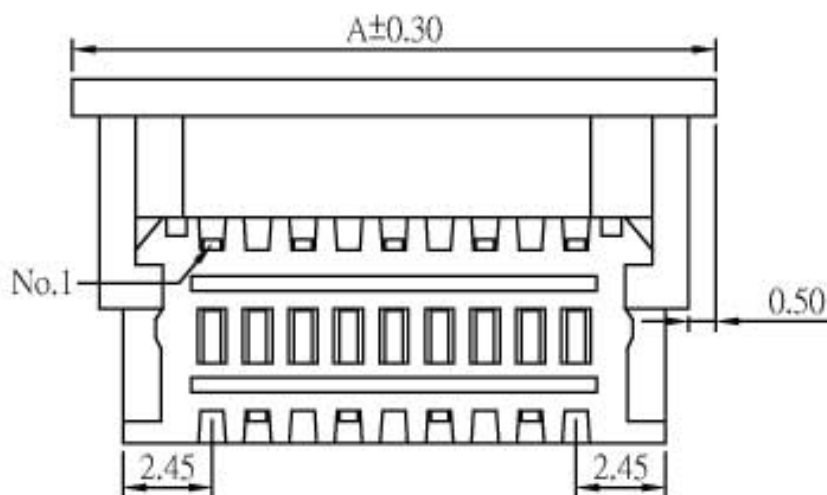
Current Rate: 1.0 AMP  
 Insulation Resistance: 500MΩ Min.  
 Contact Resistance: 20mΩ Max.  
 Dielectric Voltage: 250V AC for one minute  
 Operation Temperature: -20°C to +85°C

## Material

Insulator: Polyester, UL 94V-0  
 ◎Standard: PBT  
 Terminal: Copper Alloy  
 Plated: Tin Plated



Recommended PCB Layout  
 (PCB TOLERANCE ±0.05)



No. of Contacts	Dimensions		No. of Contacts	Dimensions	
	A	B		A	B
03	9.55	5.20	18	28.30	23.95
04	10.80	6.45	19	29.55	25.20
05	12.05	7.70	20	30.80	26.45
06	13.30	8.95	21	32.05	27.70
07	14.55	10.20	22	33.30	28.95
08	15.80	11.45	23	34.55	30.20
09	17.05	12.70	24	35.80	31.45
10	18.30	13.95	25	37.05	32.70
11	19.55	15.20	26	38.30	33.95
12	20.80	16.45	27	39.55	35.20
13	22.05	17.70	28	40.80	36.45
14	23.30	18.95	29	42.05	37.70
15	24.55	20.20	30	43.30	38.95
16	25.80	21.45	----	----	----
17	27.05	22.70	----	----	----