

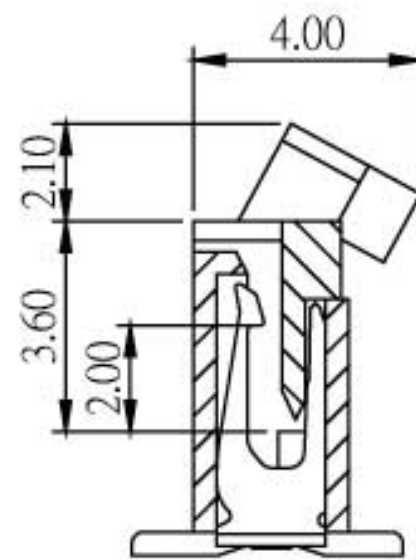
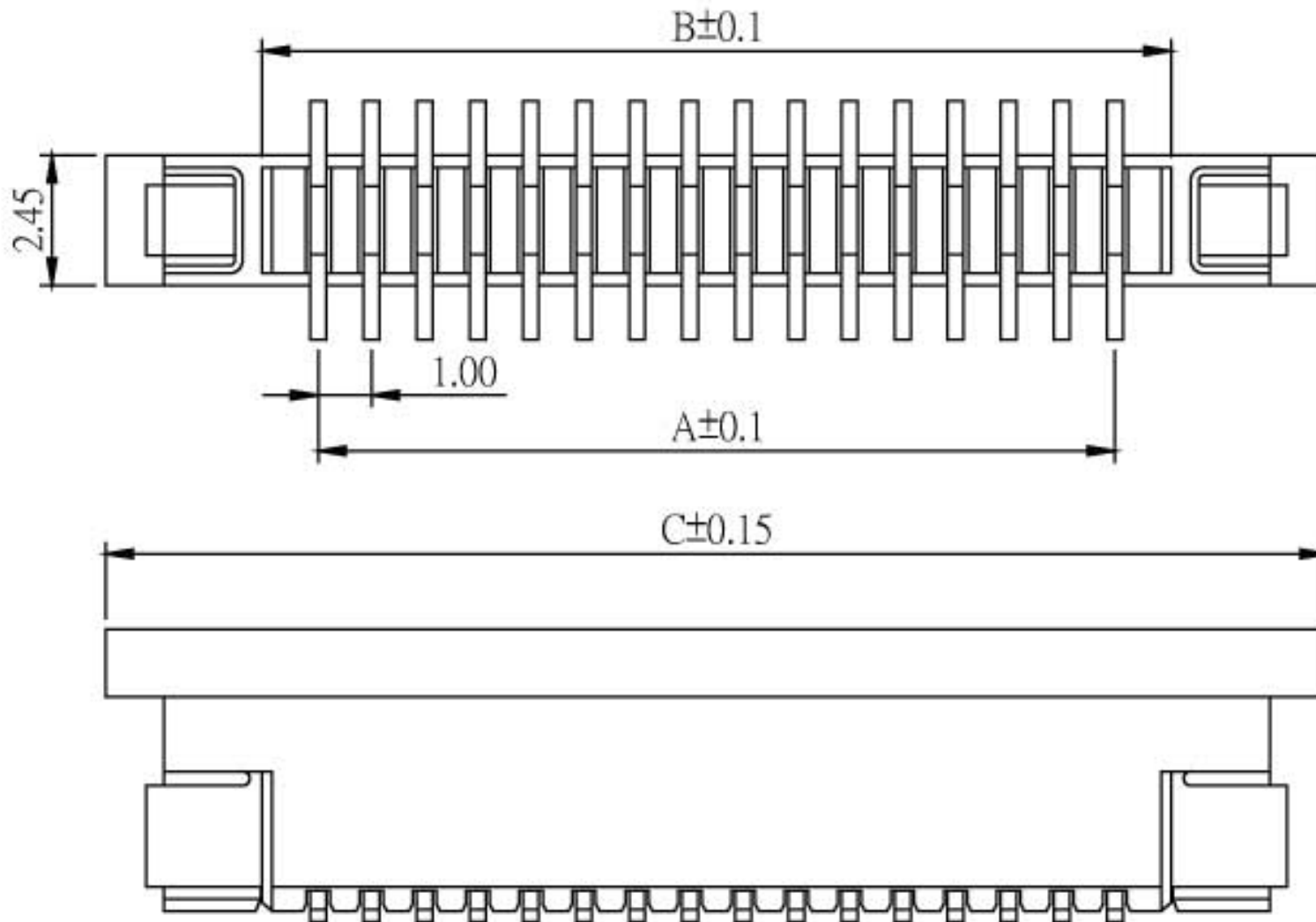
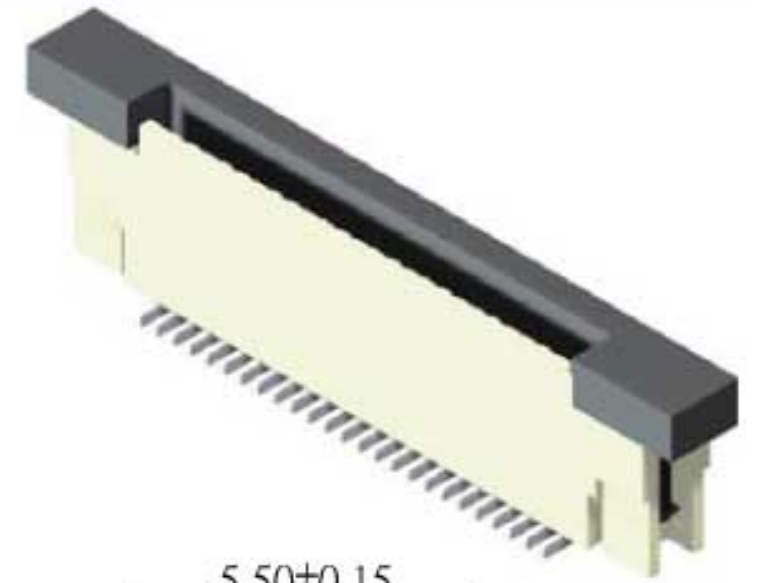
FPC/FFC 1.0mm ZIF SMT Type Top Entry

Specifications

Current Rate: 0.5 AMP
 Insulation Resistance: 50MΩ Min.
 Contact Resistance: 20mΩ Max.
 Dielectric Voltage: 500V AC for one minute
 Operation Temperature: -25°C to +80°C

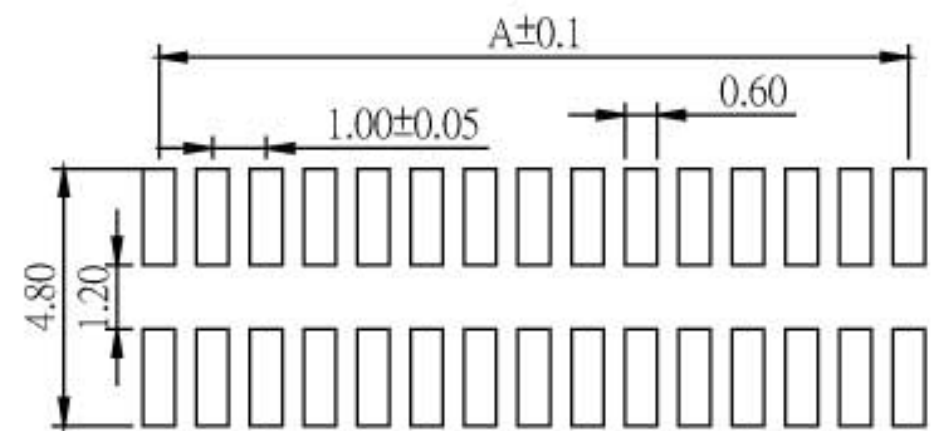
Material

Insulator: Polyester, UL 94V-0
 ©Standard: Nylon 46
 Terminal: Copper Alloy
 Plated: Tin Plated



SECTION A-A

No. of Contacts	Dimensions			No. of Contacts	Dimensions		
	A	B	C		A	B	C
4	3.00	5.10	11.00	23	22.00	24.10	30.00
5	4.00	6.10	12.00	24	23.00	25.10	31.00
6	5.00	7.10	13.00	25	24.00	26.10	32.00
7	6.00	8.10	14.00	26	25.00	27.10	33.00
8	7.00	9.10	15.00	27	26.00	28.10	34.00
9	8.00	10.10	16.00	28	27.00	29.10	35.00
10	9.00	11.10	17.00	29	28.00	30.10	36.00
11	10.00	12.10	18.00	30	29.00	31.10	37.00
12	11.00	13.10	19.00	31	30.00	32.10	38.00
13	12.00	14.10	20.00	32	31.00	33.10	39.00
14	13.00	15.10	21.00	33	32.00	34.10	40.00
15	14.00	16.10	22.00	34	33.00	35.10	41.00
16	15.00	17.10	23.00	35	34.00	36.10	42.00
17	16.00	18.10	24.00	36	35.00	37.10	43.00
18	17.00	19.10	25.00	37	36.00	38.10	44.00
19	18.00	20.10	26.00	38	37.00	39.10	45.00
20	19.00	21.10	27.00	39	38.00	40.10	46.00
21	20.00	22.10	28.00	40	39.00	41.10	47.00
22	21.00	23.10	29.00				



Recommended PCB Layout
 (PCB TOLERANCE ± 0.05)