

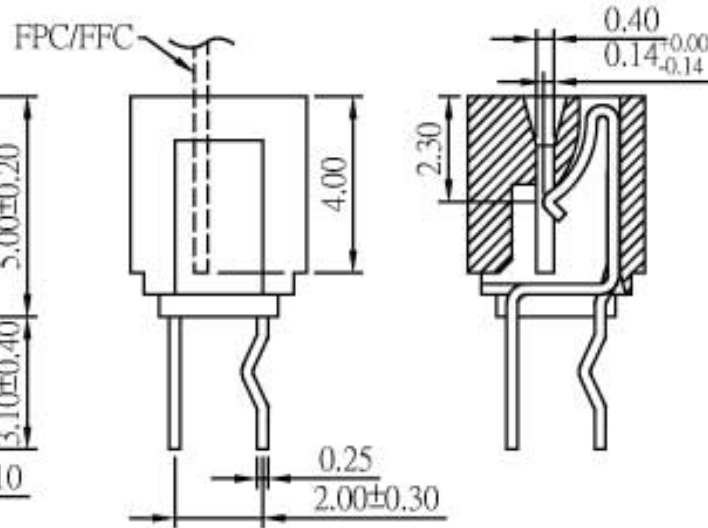
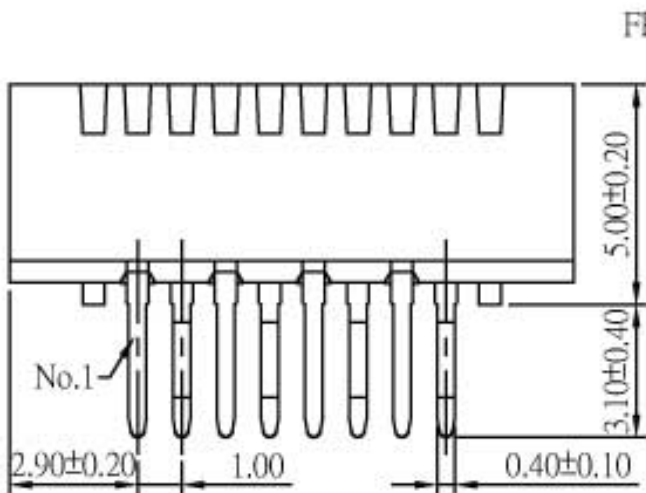
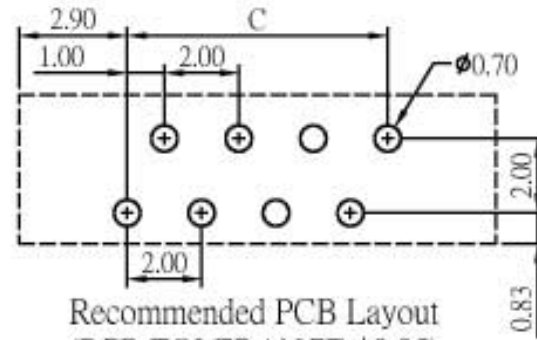
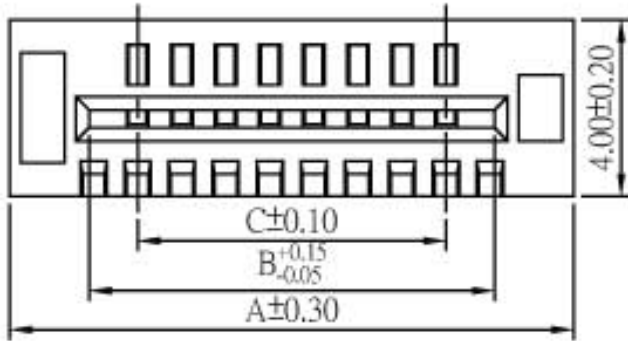
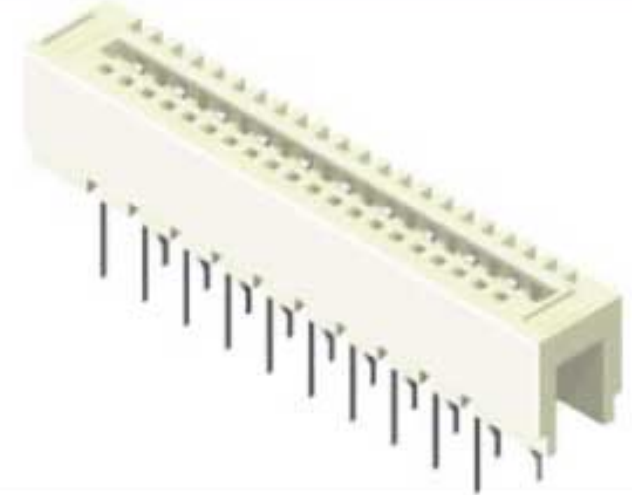
FPC/FFC 1.0mm Non ZIF Dip Type Top Entry

Specifications

Current Rate: 0.5 AMP
 Insulation Resistance: 500M Ω Min.
 Contact Resistance: 30m Ω Max.
 Dielectric Voltage: 500V AC for one minute
 Operation Temperature: -55°C to +85°C

Material

Insulator: Polyester, UL 94V-0
 ©Standard: Nylon 46
 Terminal: Copper Alloy
 Plated: Tin Plated



No. of Contacts	Dimensions			No. of Contacts	Dimensions		
	A	B	C		A	B	C
4	8.80	5.20	3.00	23	27.80	24.20	22.00
5	9.80	6.20	4.00	24	28.80	25.20	23.00
6	10.80	7.20	5.00	25	29.80	26.20	24.00
7	11.80	8.20	6.00	26	30.80	27.20	25.00
8	12.80	9.20	7.00	27	31.80	28.20	26.00
9	13.80	10.20	8.00	28	32.80	29.20	27.00
10	14.80	11.20	9.00	29	33.80	30.20	28.00
11	15.80	12.20	10.00	30	34.80	31.20	29.00
12	16.80	13.20	11.00	31	35.80	32.20	30.00
13	17.80	14.20	12.00	32	36.80	33.20	31.00
14	18.80	15.20	13.00	33	37.80	34.20	32.00
15	19.80	16.20	14.00	34	38.80	35.20	33.00
16	20.80	17.20	15.00	35	39.80	36.20	34.00
17	21.80	18.20	16.00	36	40.80	37.20	35.00
18	22.80	19.20	17.00	37	41.80	38.20	36.00
19	23.80	20.20	18.00	38	42.80	39.20	37.00
20	24.80	21.20	19.00	39	43.80	40.20	38.00
21	25.80	22.20	20.00	40	44.80	41.20	39.00
22	26.80	23.20	21.00				