

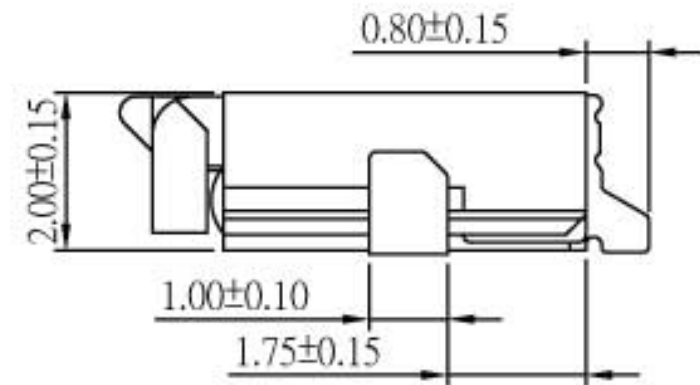
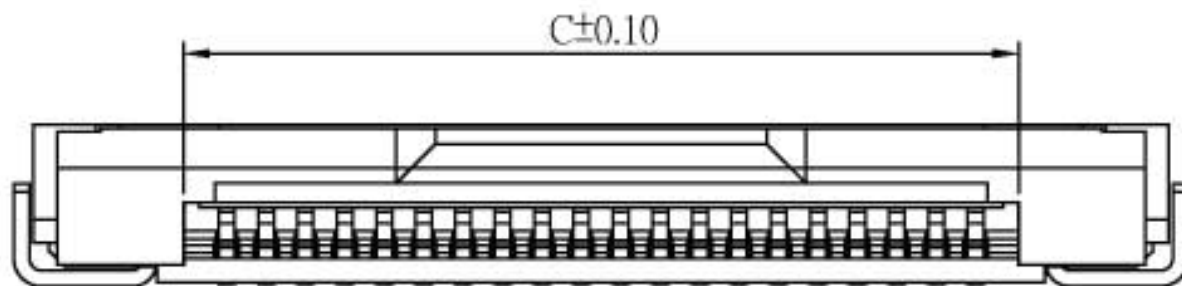
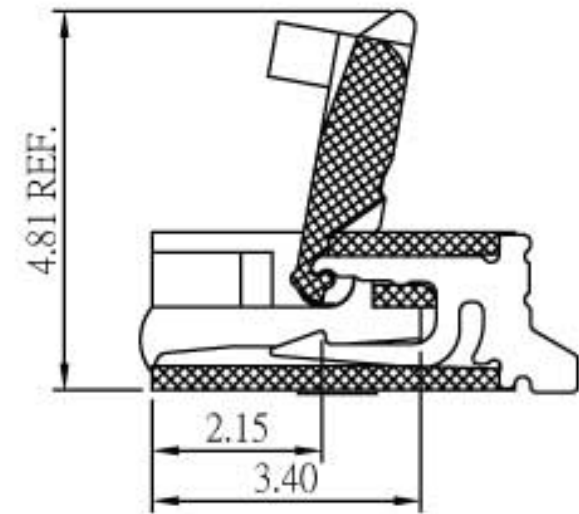
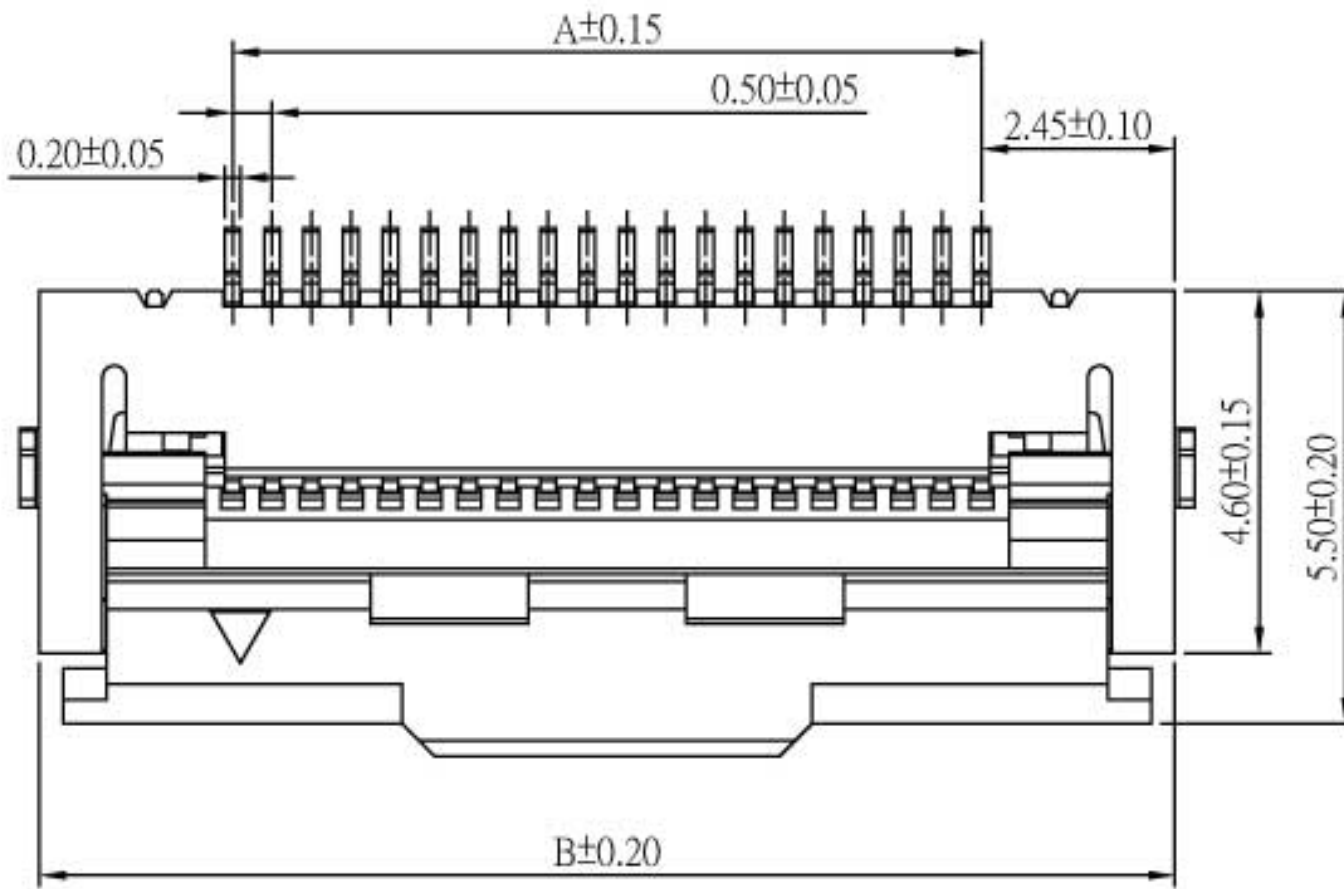
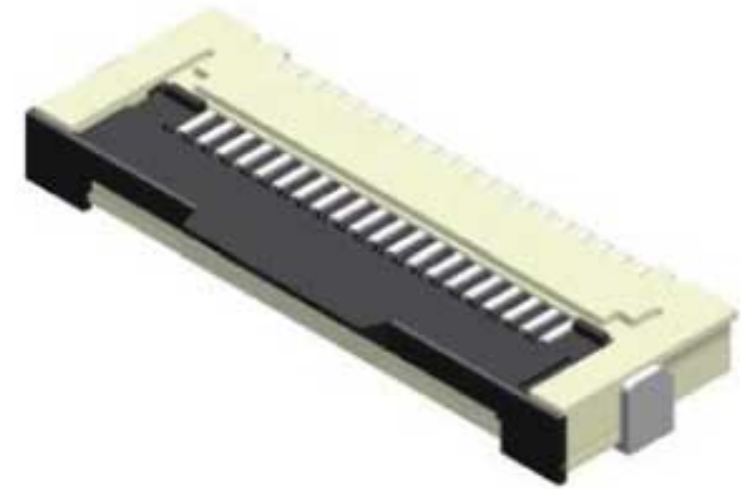
FPC/FFC 0.5mm ZIF SMT Type Side Entry

Specifications

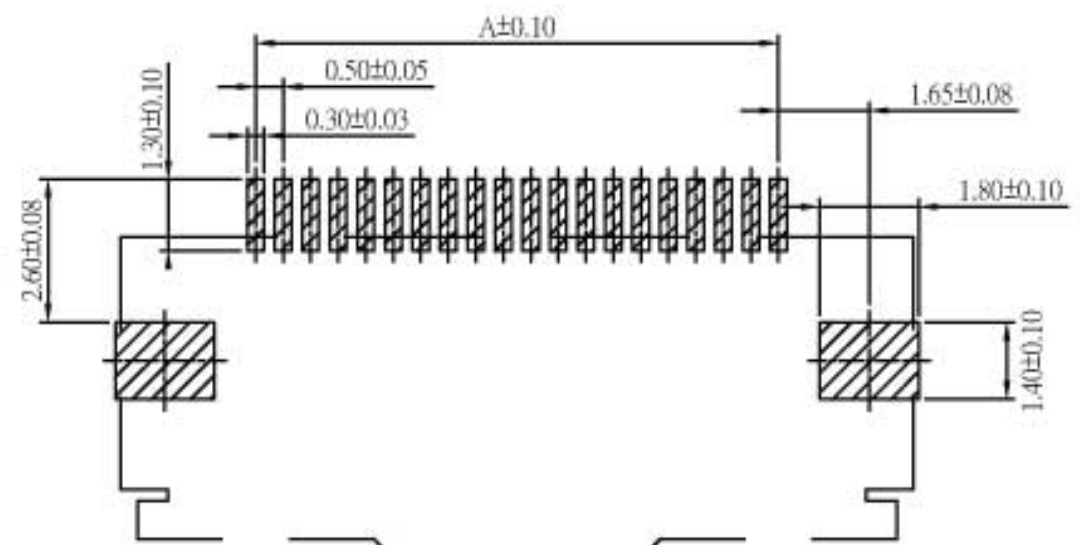
Current Rate: 0.5 AMP
 Insulation Resistance: 100MΩ Min.
 Contact Resistance: 20mΩ Max.
 Dielectric Voltage: 250V AC for one minute
 Operation Temperature: -25°C to +85°C

Material

Insulator: Polyester, UL 94V-0
 ©Standard: Nylon 6T
 Terminal: Copper Alloy
 Plated: Tin Plated



No. of Contacts	Dimensions			No. of Contacts	Dimensions		
	A	B	C		A	B	C
06	2.50	7.40	3.60	28	13.50	18.40	14.60
07	3.00	7.90	4.10	29	14.00	18.90	15.10
08	3.50	8.40	4.60	30	14.50	19.40	15.60
09	4.00	8.90	5.10	31	15.00	19.90	16.10
10	4.50	9.40	5.60	32	15.50	20.40	16.60
11	5.00	9.90	6.10	33	16.00	20.90	17.10
12	5.50	10.40	6.60	34	16.50	21.40	17.60
13	6.00	10.90	7.10	35	17.00	21.90	18.10
14	6.50	11.40	7.60	36	17.50	22.40	18.60
15	7.00	11.90	8.10	37	18.00	22.90	19.10
16	7.50	12.40	8.60	38	18.50	23.40	19.60
17	8.00	12.90	9.10	39	19.00	23.90	20.10
18	8.50	13.40	9.60	40	19.50	24.40	20.60
19	9.00	13.90	10.10	41	20.00	24.90	21.10
20	9.50	14.40	10.60	42	20.50	25.40	21.60
21	10.00	14.90	11.10	43	21.00	25.90	22.10
22	10.50	15.40	11.60	44	21.50	26.40	22.60
23	11.00	15.90	12.10	45	22.00	26.90	23.10
24	11.50	16.40	12.60	46	22.50	27.40	23.60
25	12.00	16.90	13.10	47	23.00	27.90	24.10
26	12.50	17.40	13.60	48	23.50	28.40	24.60
27	13.00	17.90	14.10	49	24.00	28.90	25.10
				50	24.50	29.40	25.60



Recommended PCB Layout
(PCB TOLERANCE ±0.05)