

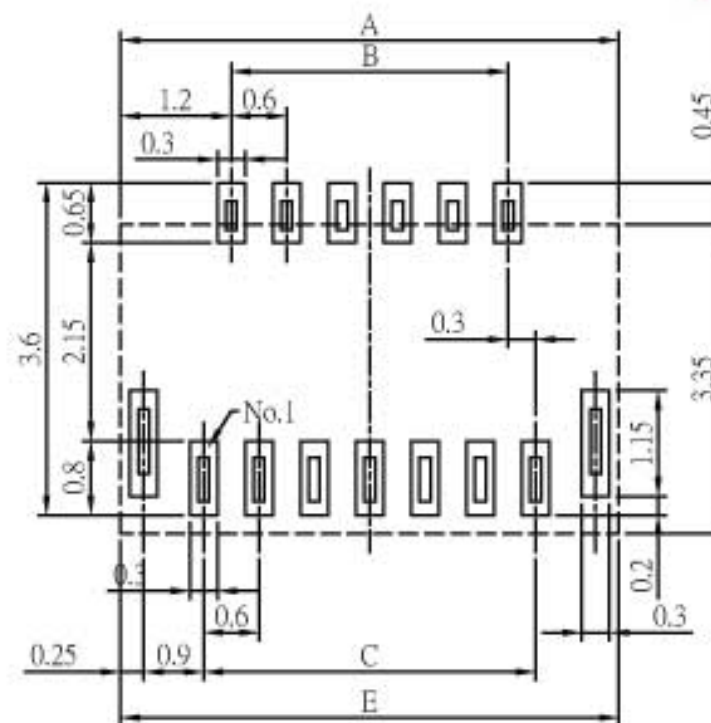
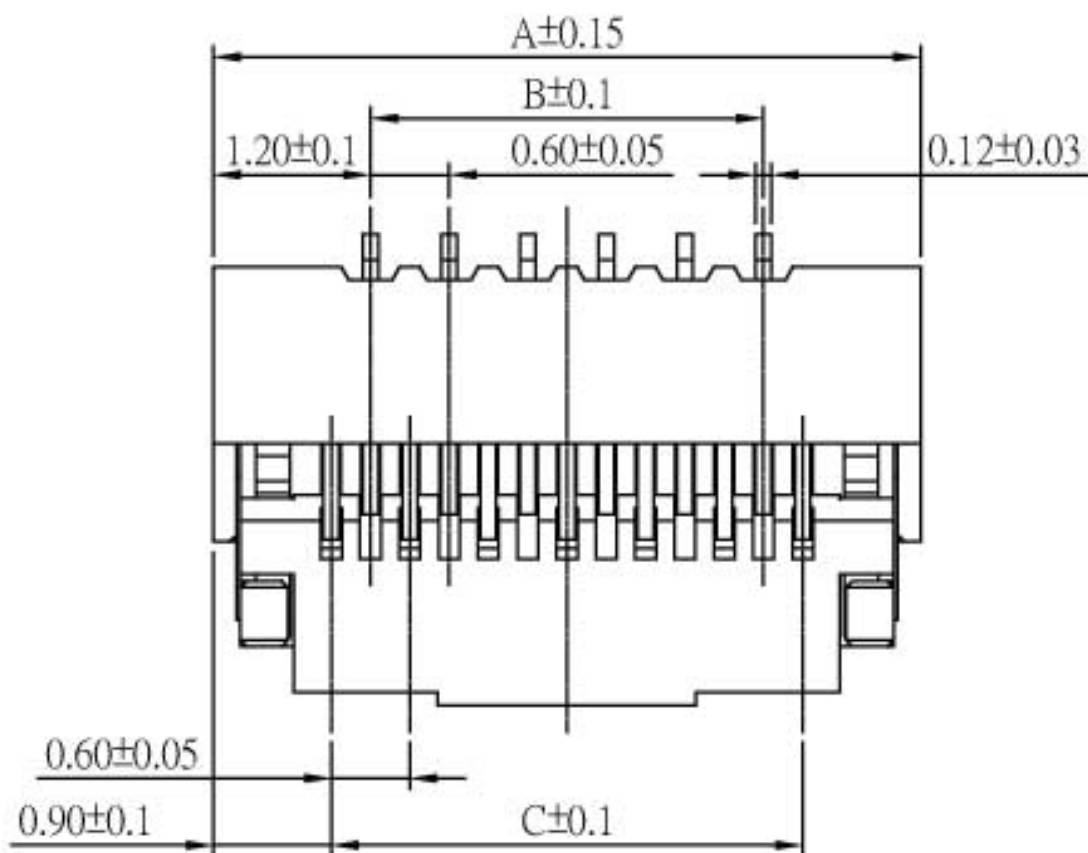
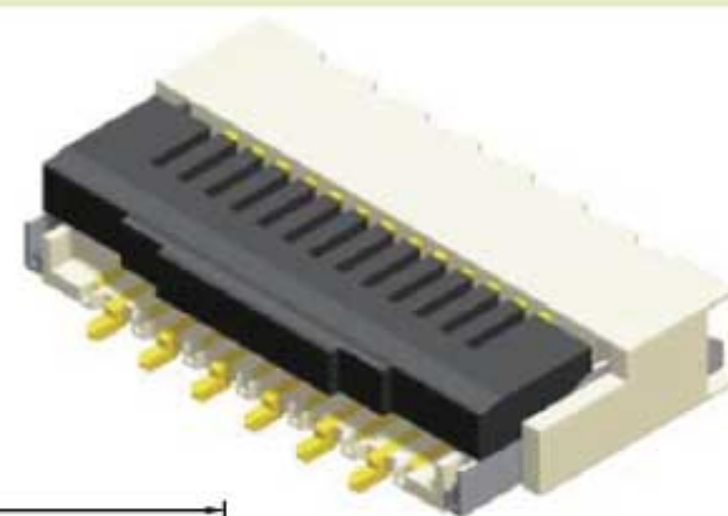
# FPC/FFC 0.3mm ZIF SMT Type Side Entry For FFC T=0.2mm

## Specifications

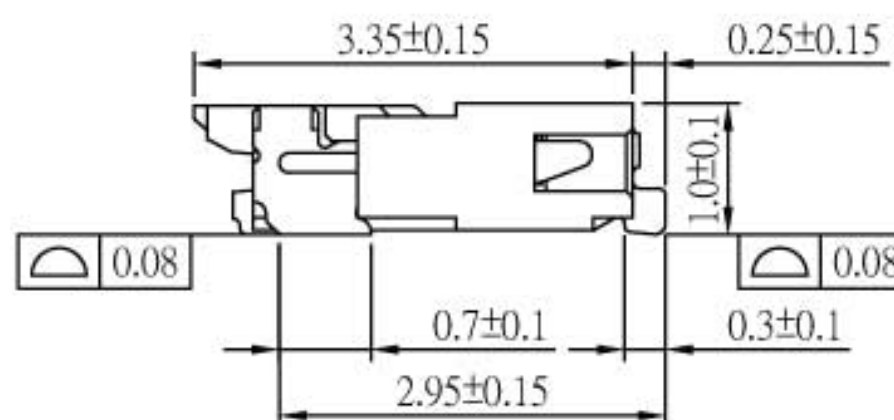
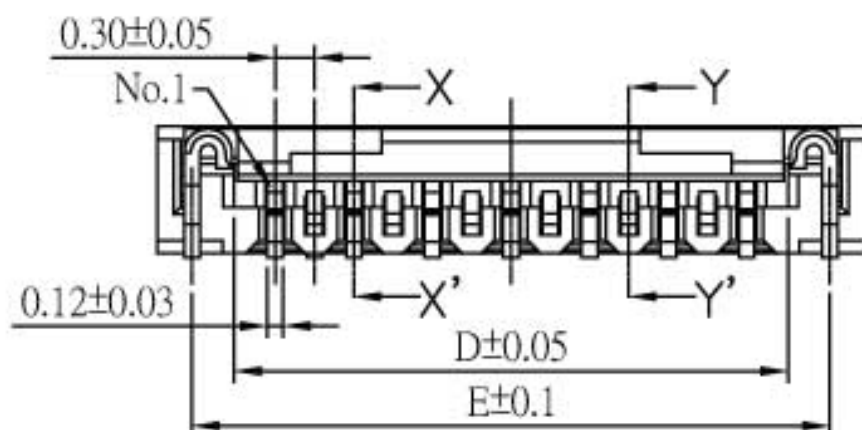
Current Rate: 0.4 AMP  
 Insulation Resistance: 500MΩ Min.  
 Contact Resistance: 30mΩ Max.  
 Dielectric Voltage: 100V AC for one minute  
 Operation Temperature: -55°C to +85°C

## Material

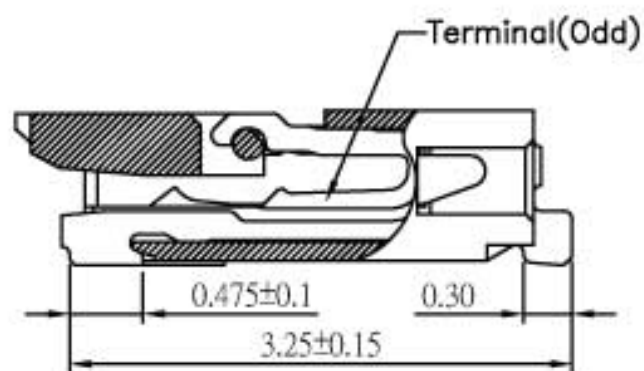
Insulator: Polyester, UL 94V-0  
 ◎Standard: LCP  
 Terminal: Copper Alloy  
 Plated: Gold Plated



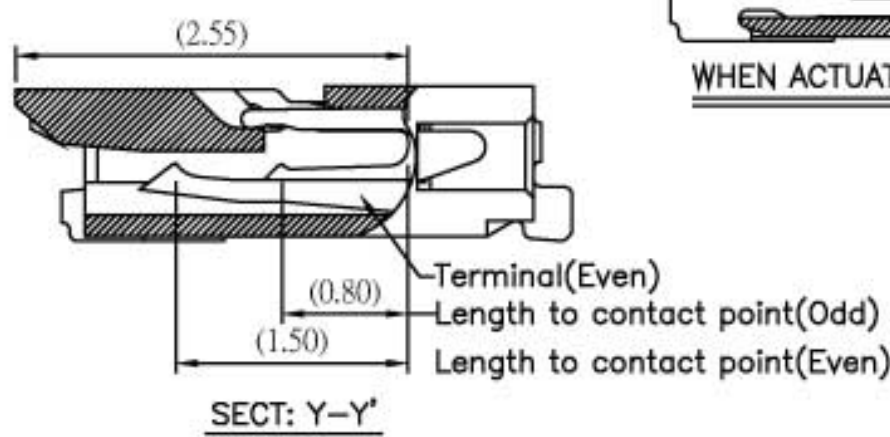
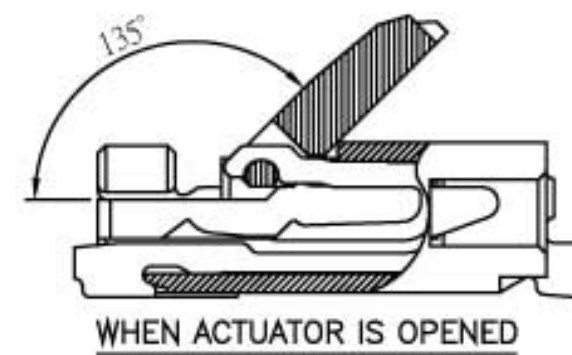
Recommended PCB Layout  
(PCB TOLERANCE ±0.05)



No. of Contacts	Dimensions				
	A	B	C	D	E
13	5.40	3.00	3.60	4.23	4.90
15	6.00	3.60	4.20	4.83	5.50
17	6.60	4.20	4.80	5.43	6.10
19	7.20	4.80	5.40	6.03	6.70
21	7.80	5.40	6.00	6.63	7.30
23	8.40	6.00	6.60	7.23	7.90
25	9.00	6.60	7.20	7.83	8.50
27	9.60	7.20	7.80	8.43	9.10
29	10.20	7.80	8.40	9.03	9.70
31	10.80	8.40	9.00	9.63	10.30
33	11.40	9.00	9.60	10.23	10.90
35	12.00	9.60	10.20	10.83	11.50
37	12.60	10.20	10.80	11.43	12.10
39	13.20	10.80	11.40	12.03	12.70
41	13.80	11.40	12.00	12.63	13.30
45	15.00	12.60	13.20	13.83	14.50
49	16.20	13.80	14.40	15.03	15.70
51	16.80	14.40	15.00	15.63	16.30
57	18.60	16.20	16.80	17.43	18.10
61	19.80	17.40	18.00	18.63	19.30
71	22.80	20.40	21.00	21.63	22.30



SECT: X-X'



SECT: Y-Y'