

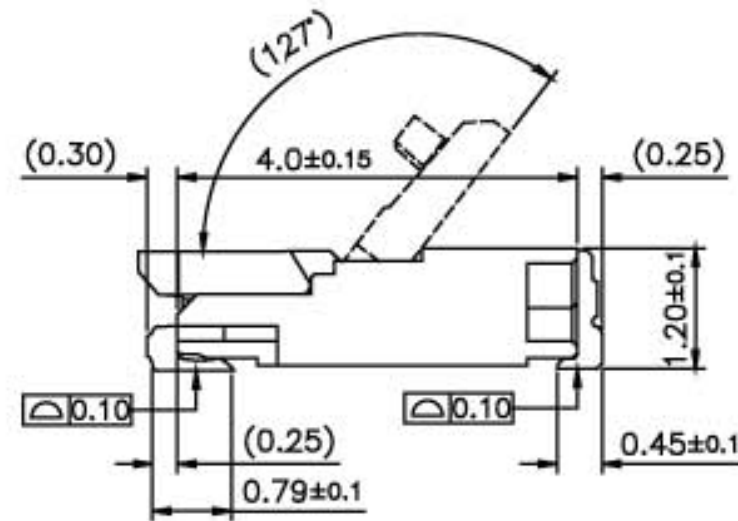
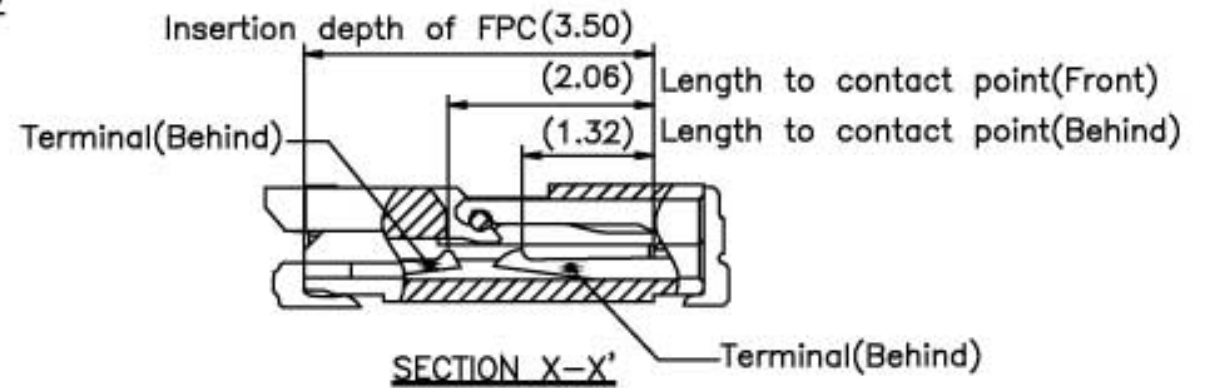
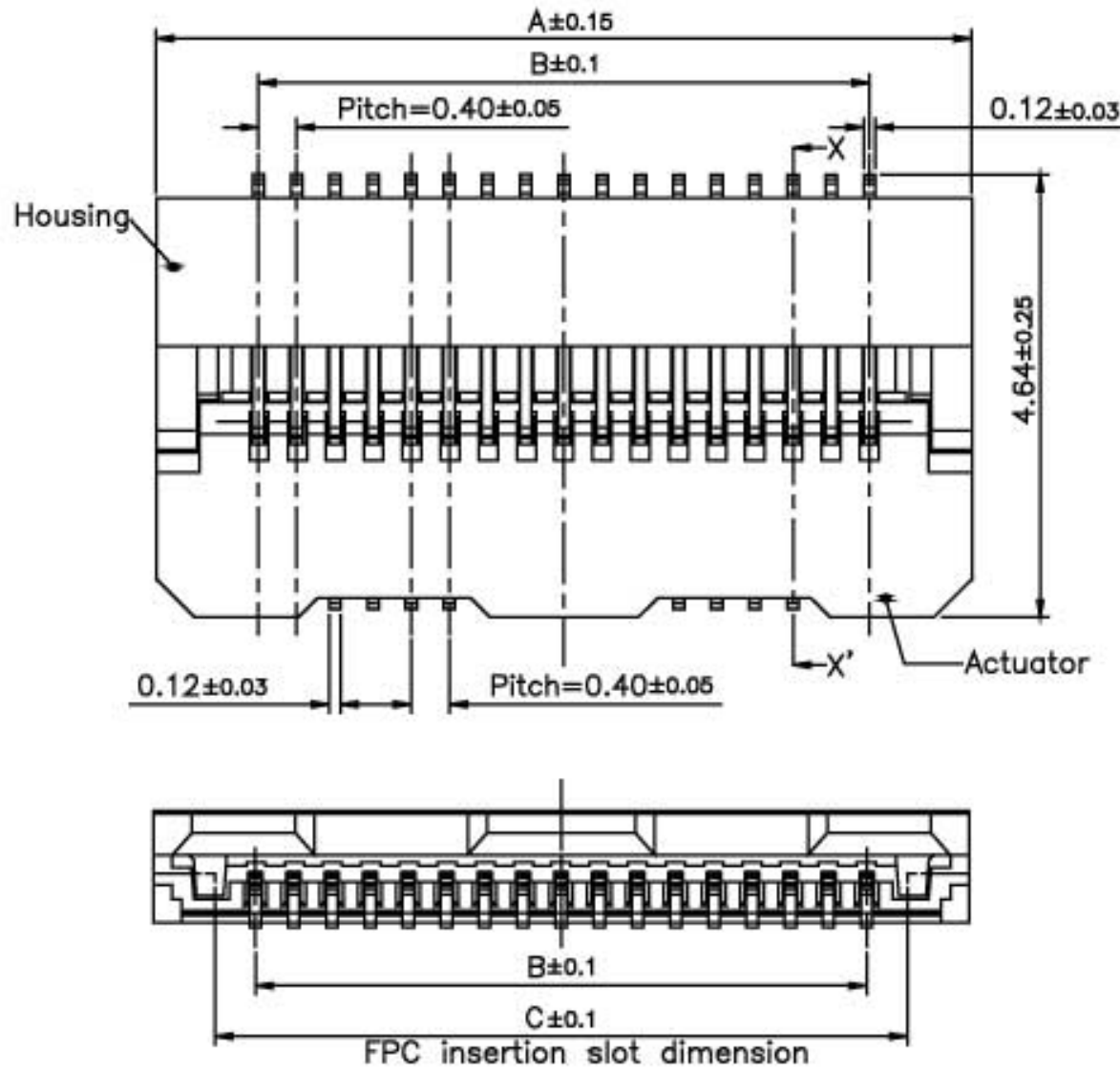
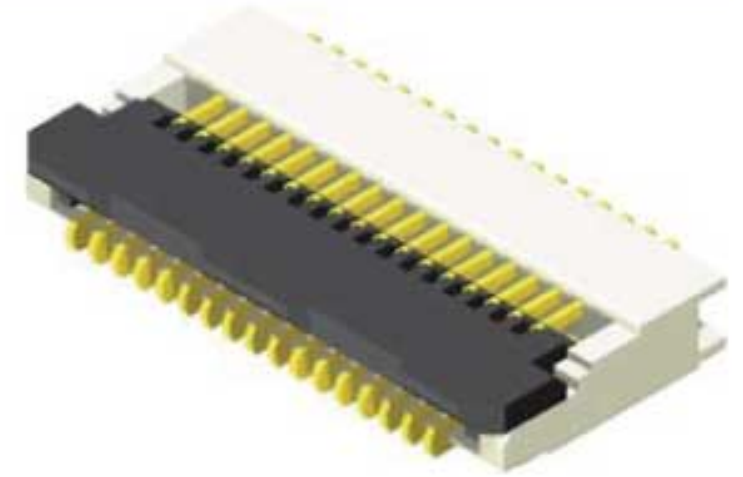
FPC/FFC 0.2mm ZIF SMT Type Side Entry For FFC T=0.2mm

Specifications

Current Rate:0.25 AMP
 Insulation Resistance:100MΩ Min.
 Contact Resistance:20mΩ Max.
 Dielectric Voltage:120V AC for one minute
 Operation Temperature:-55°C to +85°C

Material

Insulator:Polyester,UL 94V-0
 ©Standard:LCP
 Terminal:Copper Alloy
 Plated:Gold Plated



| No. of Contacts | Dim. A | Dim. B | Dim. C | n |
|-----------------|--------|--------|--------|----|
| 24 | 6.54 | 4.40 | 5.27 | 12 |
| 34 | 8.54 | 6.40 | 7.27 | 17 |
| 40 | 9.74 | 7.60 | 8.47 | 20 |
| 44 | 10.54 | 8.40 | 9.27 | 22 |
| 50 | 11.74 | 8.60 | 10.47 | 25 |
| 60 | 13.74 | 11.60 | 12.47 | 30 |
| 68 | 15.34 | 13.20 | 14.09 | 34 |
| 70 | 15.74 | 13.60 | 14.47 | 35 |
| 80 | 17.74 | 15.60 | 16.47 | 40 |
| 90 | 19.74 | 17.60 | 18.47 | 45 |
| 100 | 21.74 | 19.60 | 20.47 | 50 |
| 120 | 25.74 | 23.60 | 24.47 | 60 |

