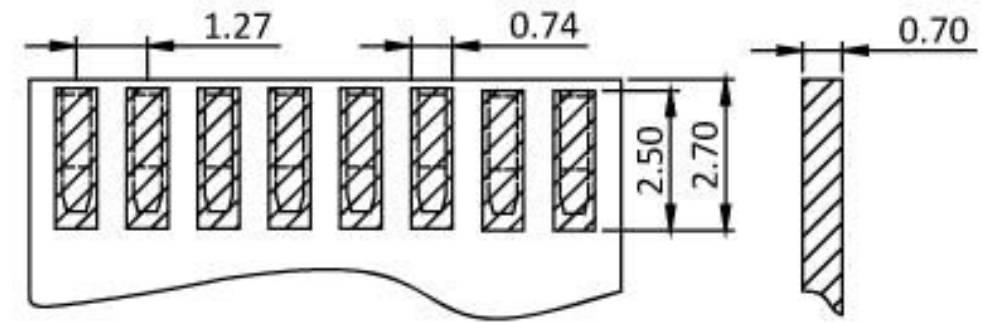
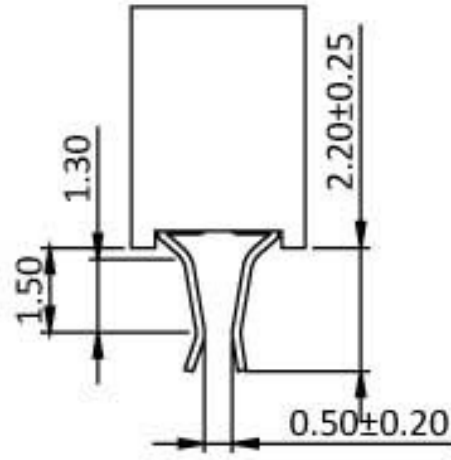
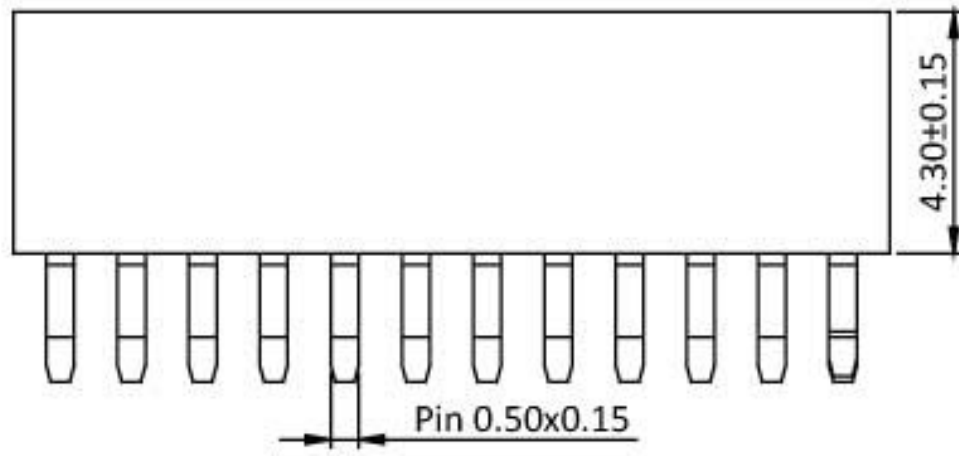
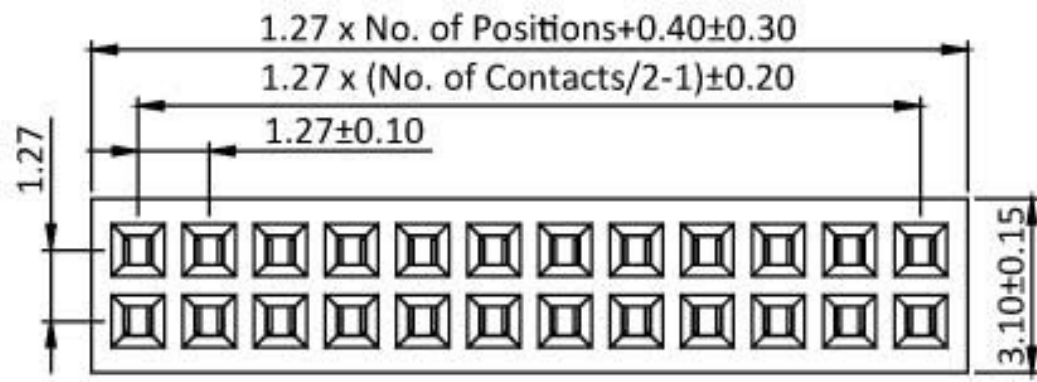


Female Header 1.27mm 2 Row H=4.3mm Kinked Type



Recommended PCB Layout
(PCB TOLERANCE ±0.05)

