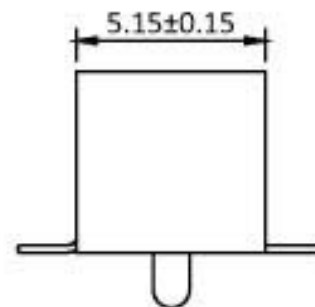
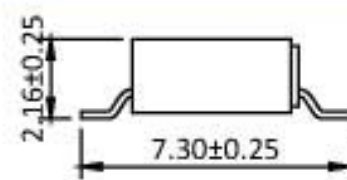
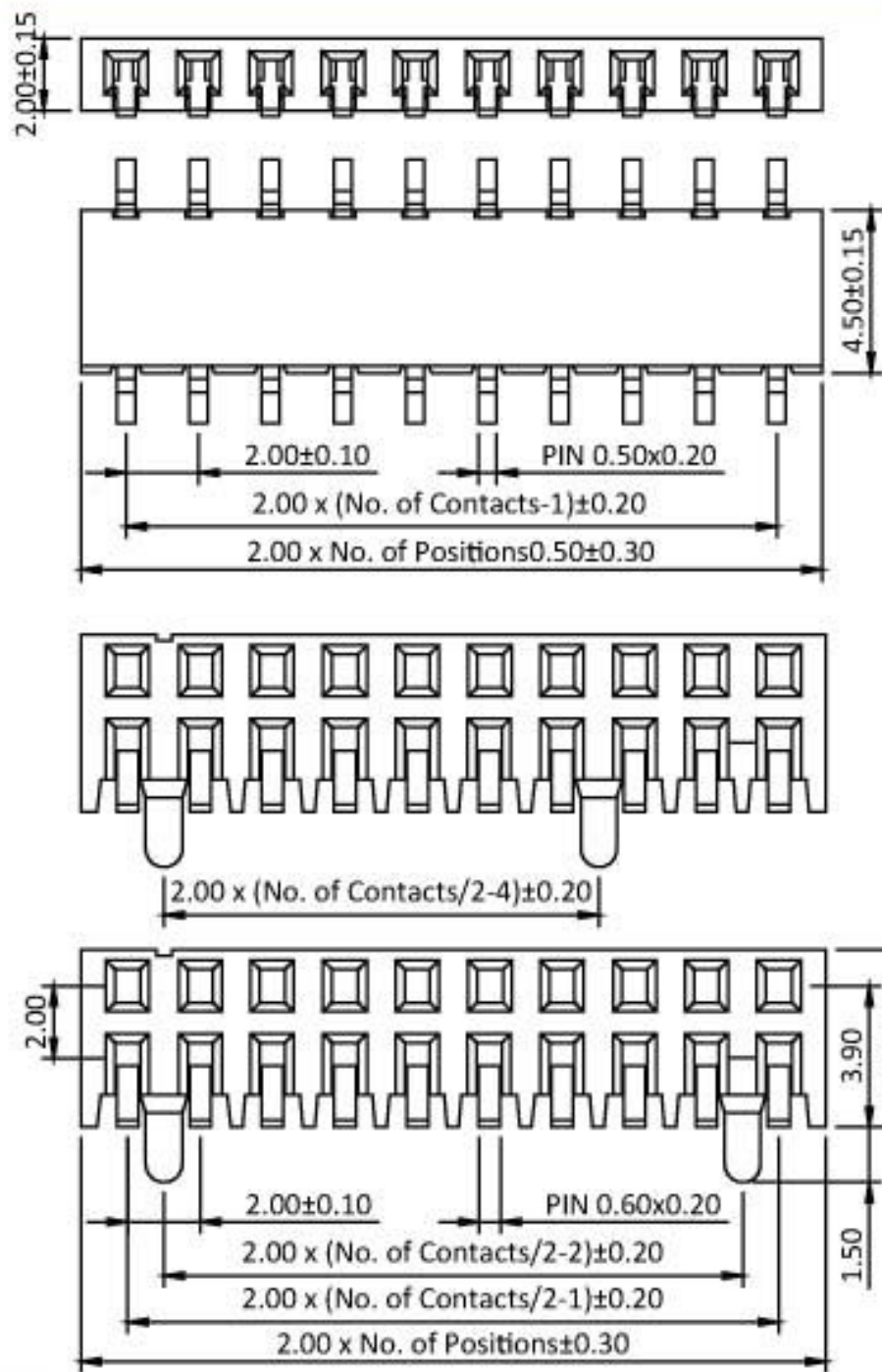
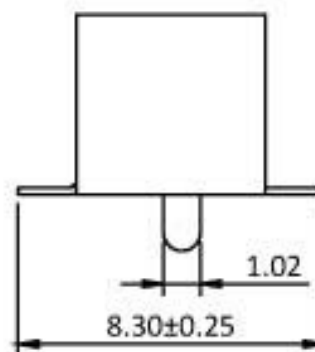


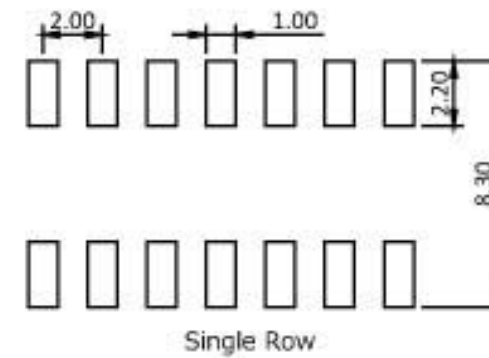
Female Header 2.0mm 1 & 2 Row Side Entry SMT Type



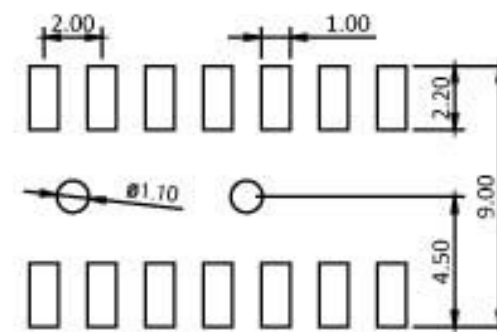
A Type



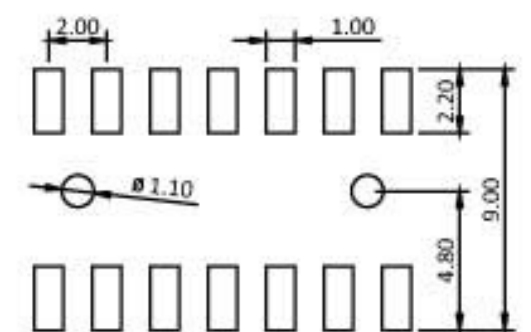
B Type



Single Row



A Type



B Type

Recommended PCB Layout
(PCB TOLERANCE ± 0.05)

