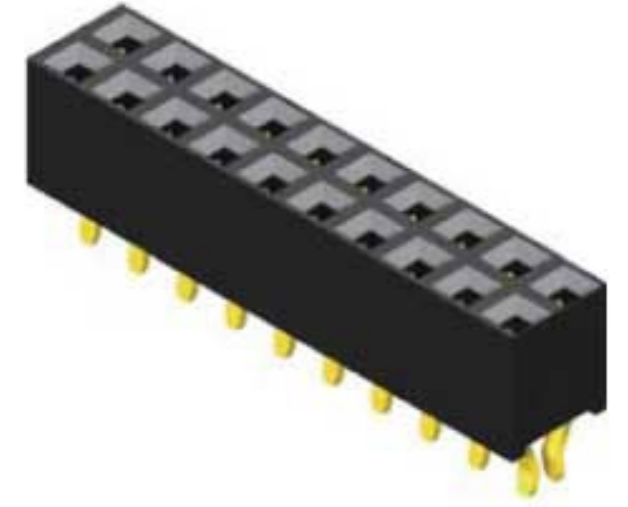
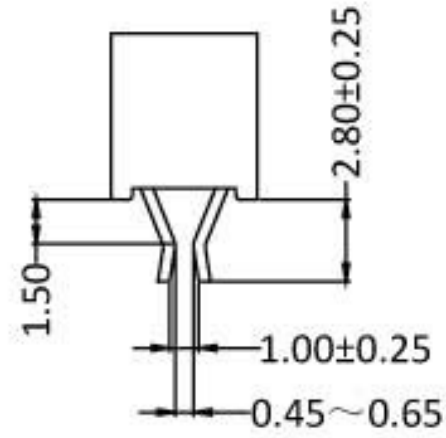
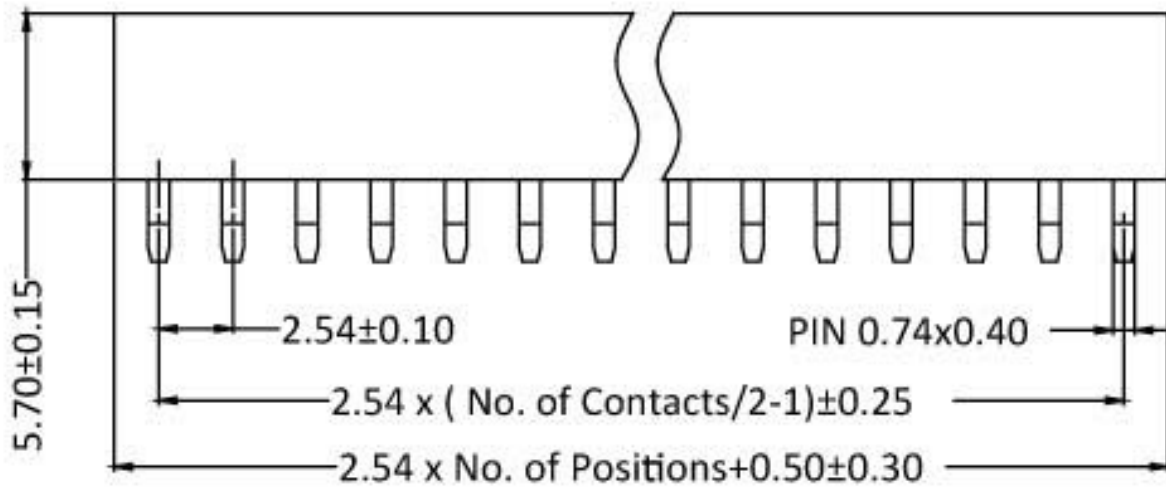
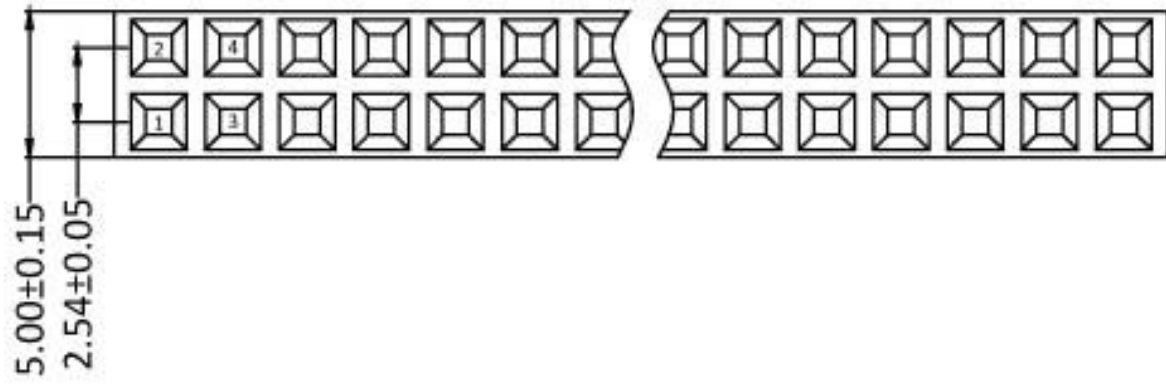


# Female Header 2.54mm 2 Row H=5.7mm Straddle Type



Recommended P.C.B Layout(TOP Side)  
(PCB BOARD TOLERANCE±0.05)