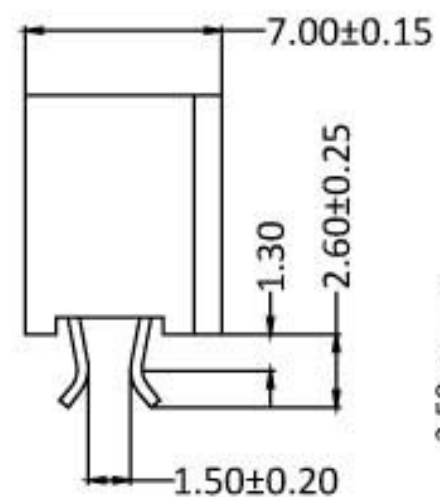
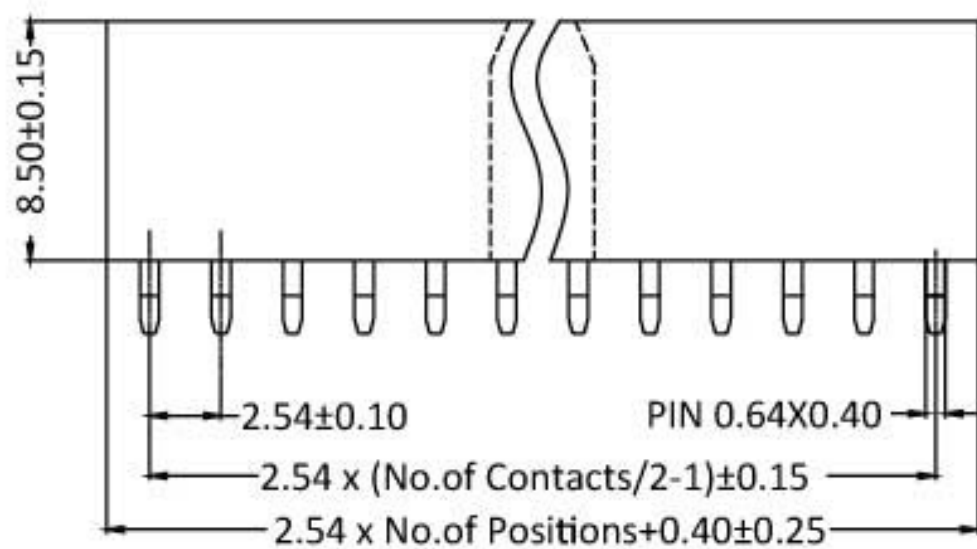
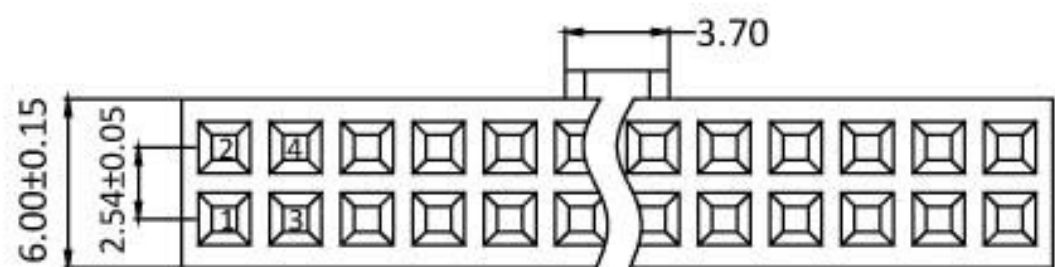


Female Header 2.54mm 2 Row H=8.5mm Straddle Type With Bump



Recommended P.C.B Layout (TOP Side)
(PCB BOARD TOLERANCE ± 0.05)

