

Pin Header 3.96mm 1 Row H=3.18mm Right Angle Type

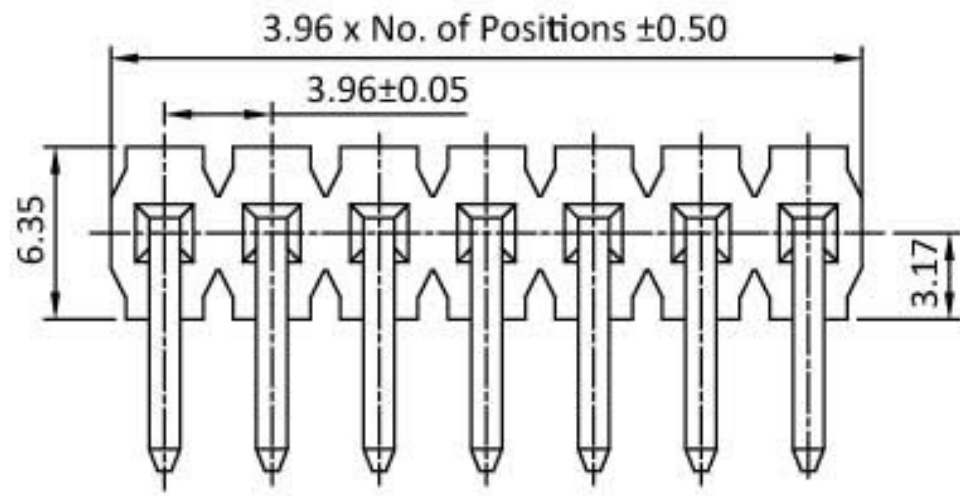
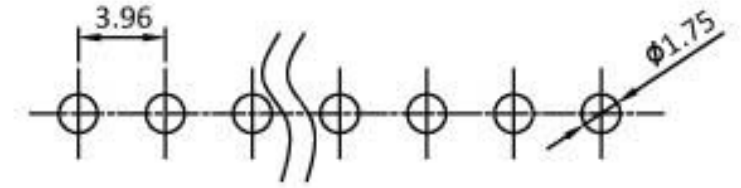
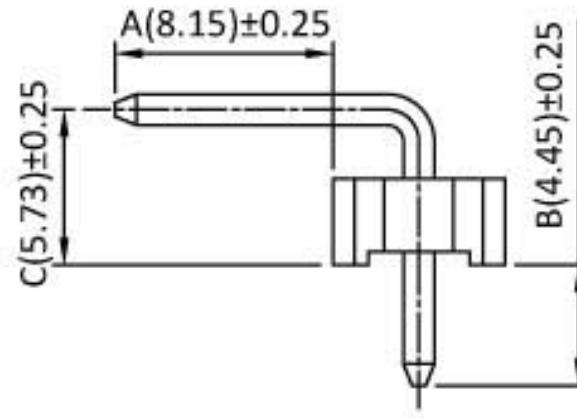
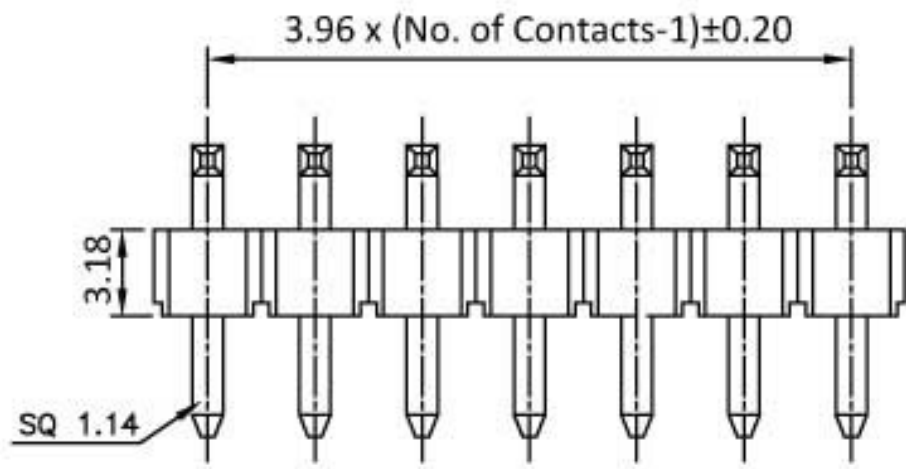


Table:

LEAD STYLE	Dimensions		
	A	B	C
01	8.15	4.45	5.73
02	13.60	4.00	8.13
03	10.75	4.50	9.48



Recommended PCB Layout
(PCB TOLERANCE ± 0.05)