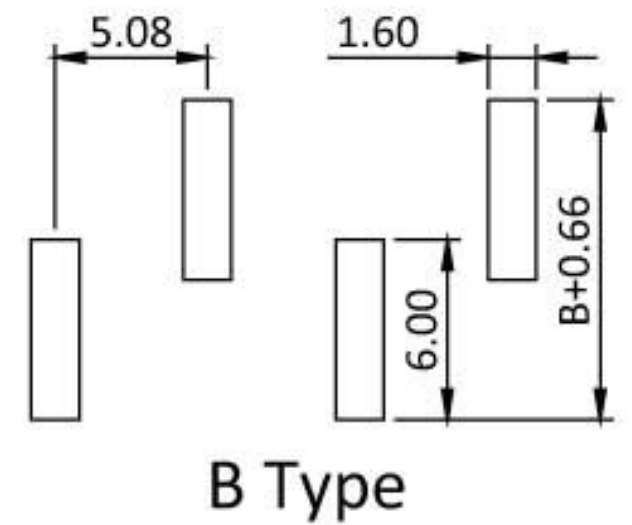
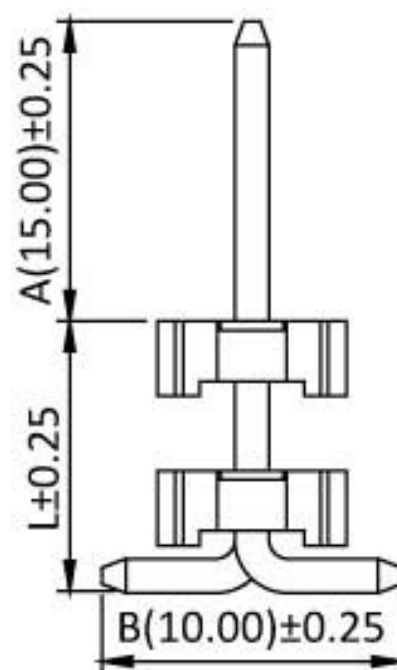
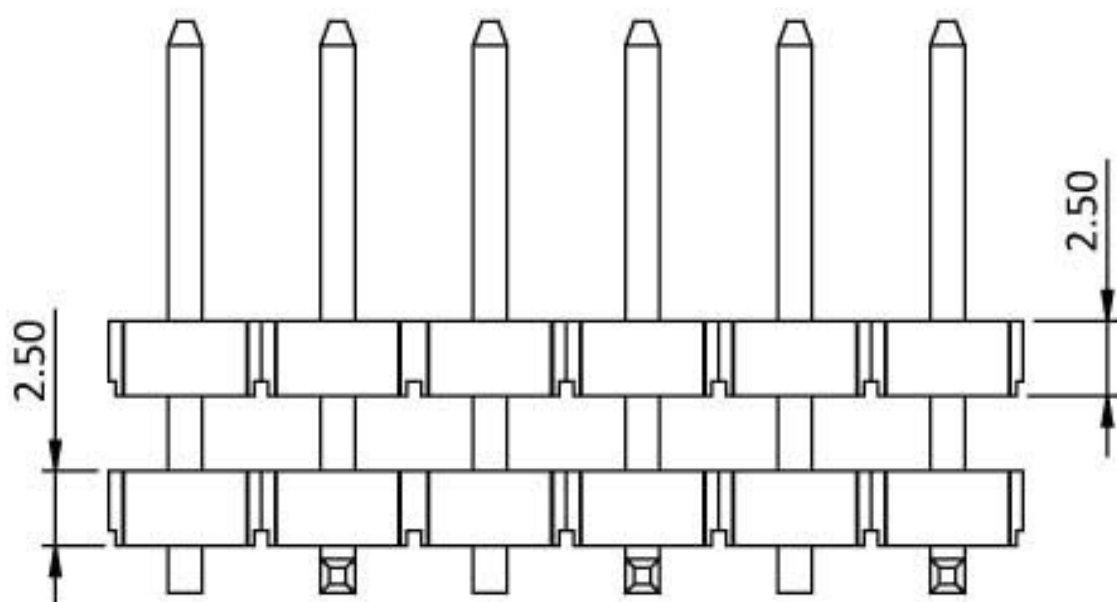
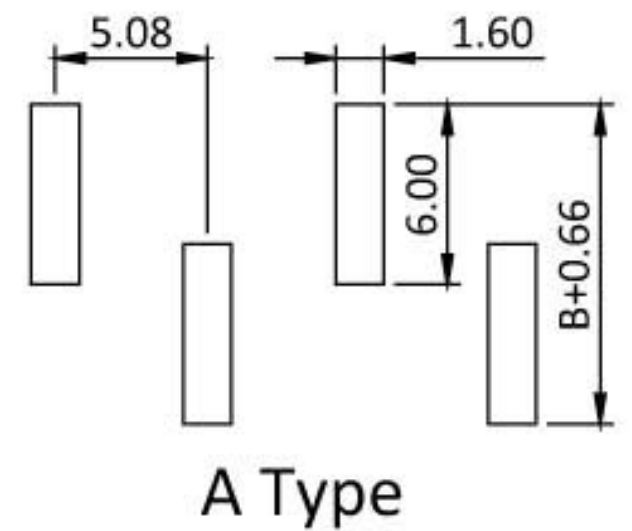
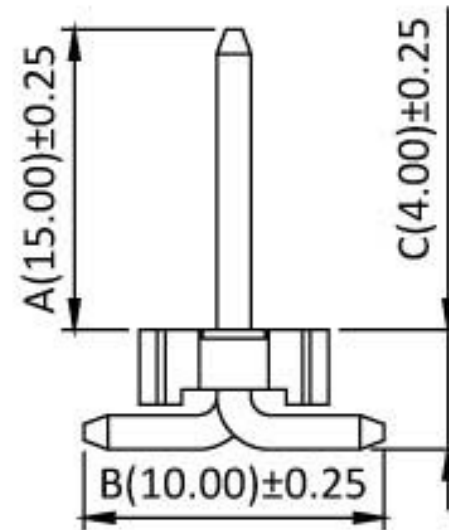
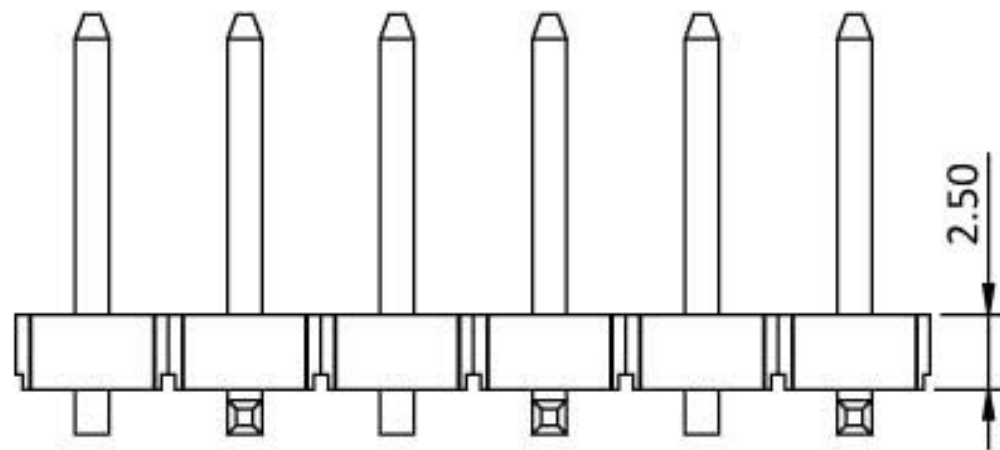
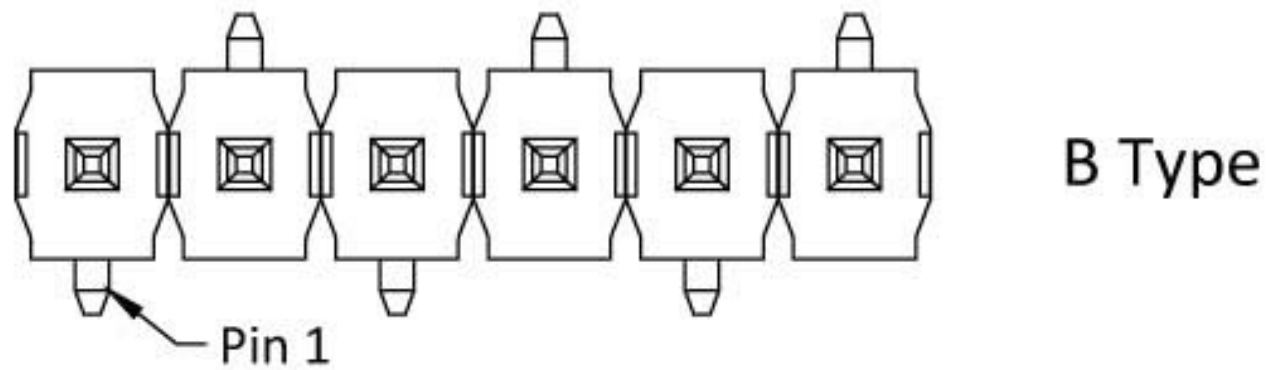
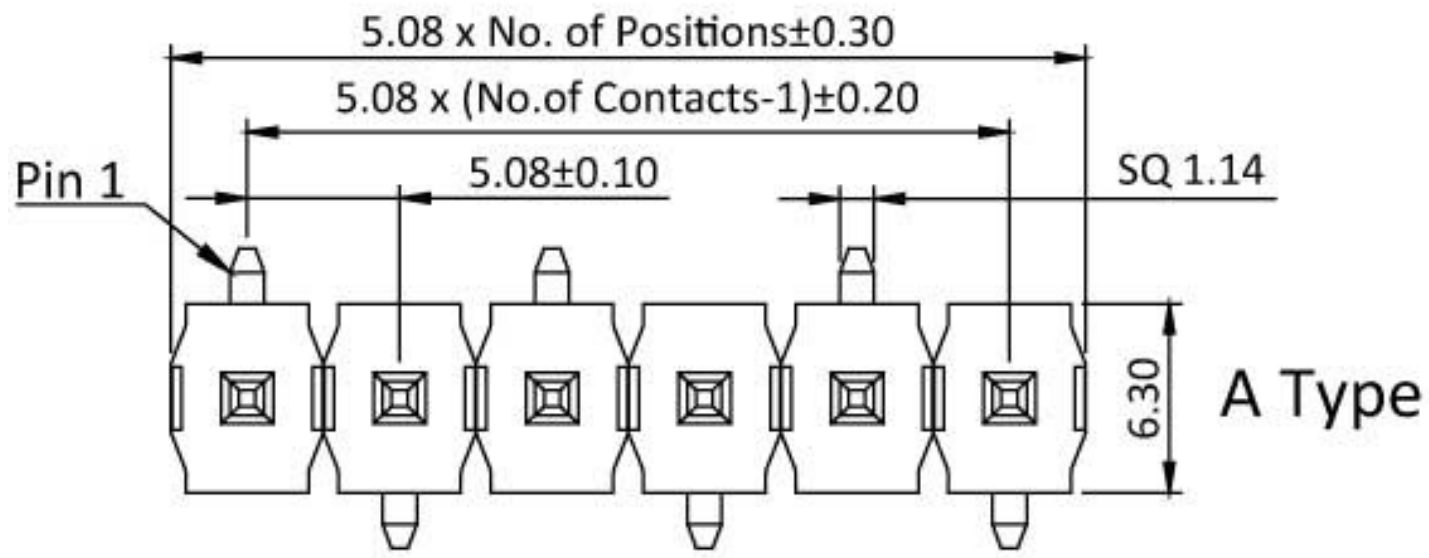


Pin Header 5.08mm 1 Row H=2.5mm SMT / Stack SMT Type



Recommended PCB Layout
(PCB TOLERANCE ± 0.05)

