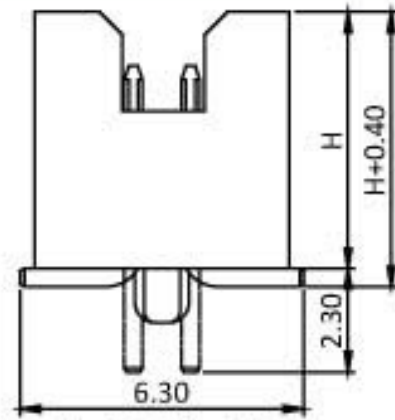
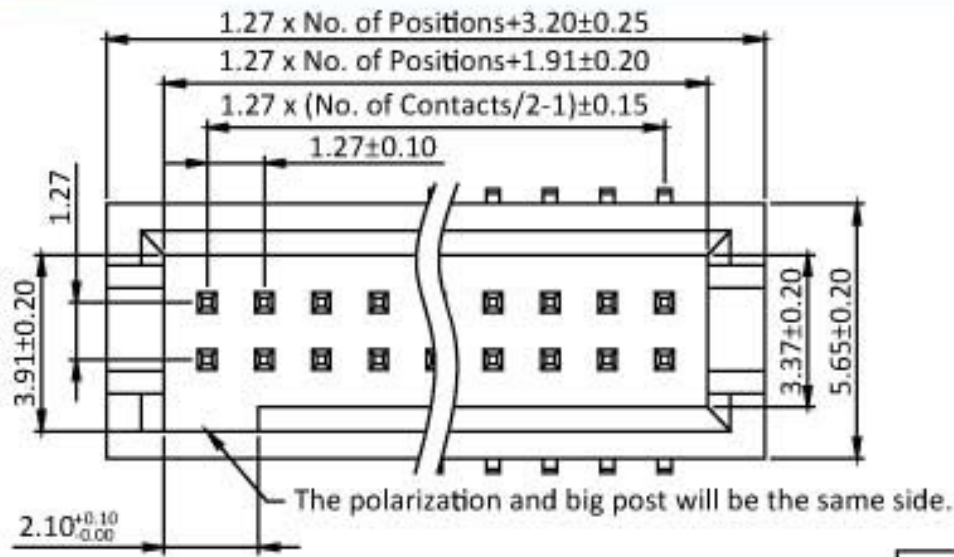
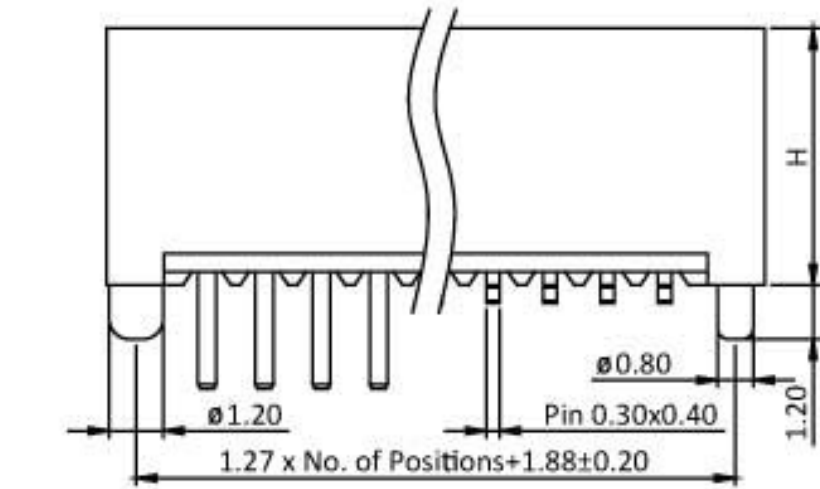


Box Header 1.27x1.27mm SMT / Straight Type

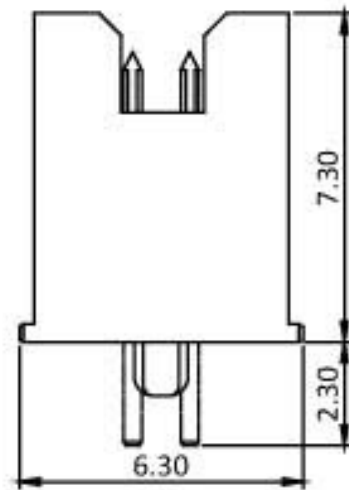


Height: A, N
Pin 0.30x0.40

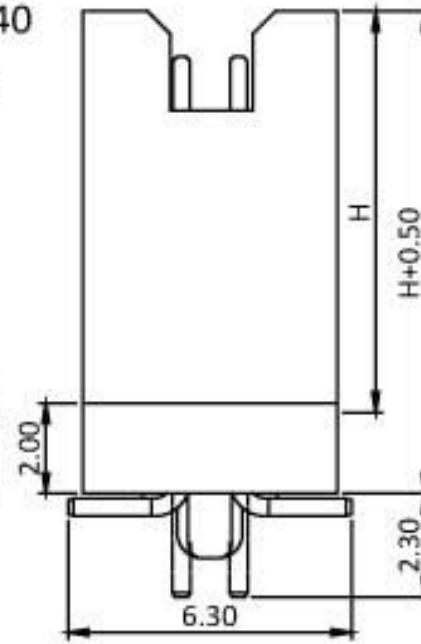


Plastic Height
(Code: G For Straight Only)

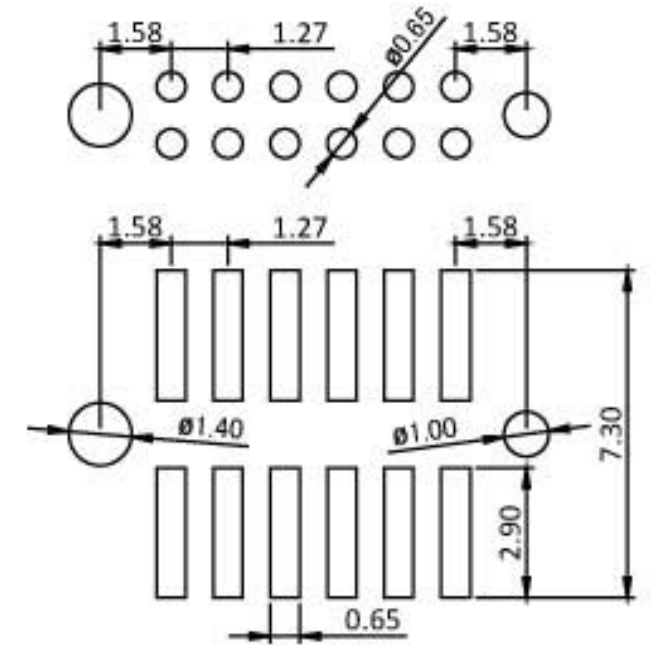
| Code | Height | Code | Height | Code | Height | Code | Height | Code | Height | Code | Height |
|------|--------|------|--------|------|--------|------|--------|------|--------|------|--------|
| A | 5.70 | E | 10.30 | I | 12.20 | M | 17.30 | R | 10.40 | V | 17.60 |
| B | 7.30 | F | 11.00 | J | 13.50 | N | 3.80 | S | 10.70 | W | 18.60 |
| C | 9.40 | G | 11.20 | K | 14.20 | P | 9.00 | T | 14.10 | X | 18.90 |
| D | 9.60 | H | 11.50 | L | 15.20 | Q | 10.20 | U | 15.60 | | |



Height: B
Pin 0.40x0.40



Height: C~X
Pin 0.40x0.40



Recommended PCB Layout
(PCB TOLERANCE ±0.05)