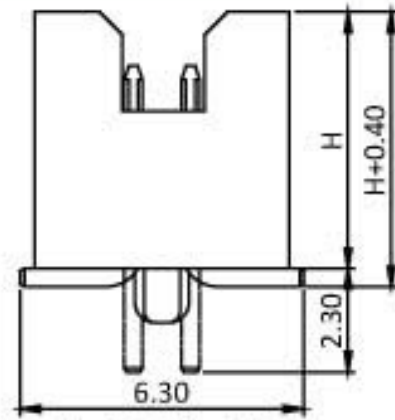
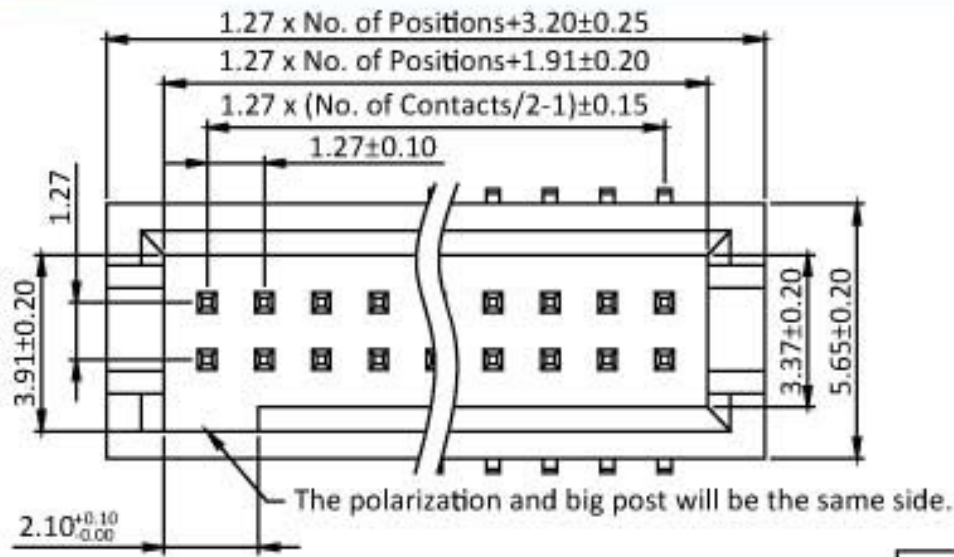
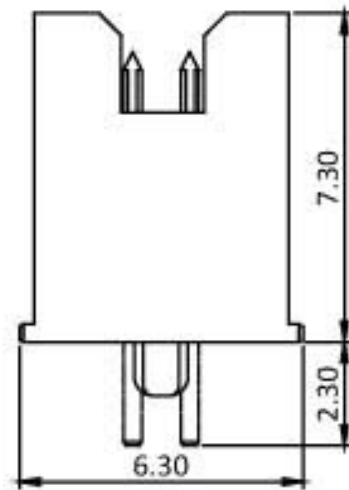
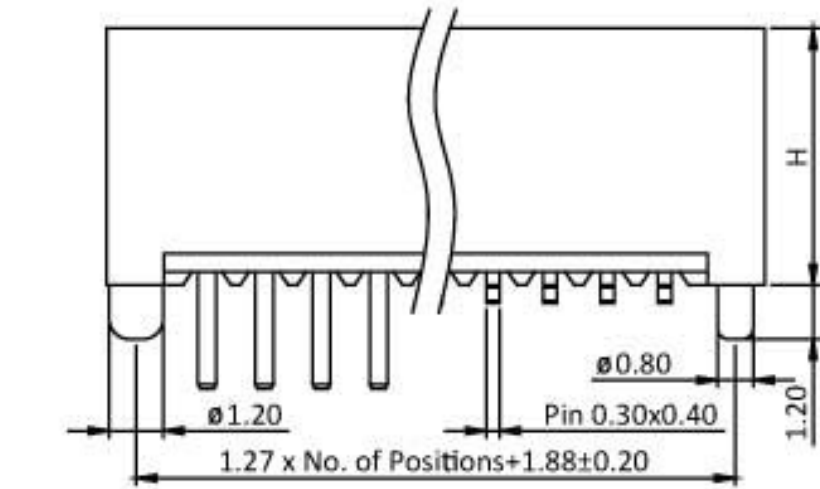


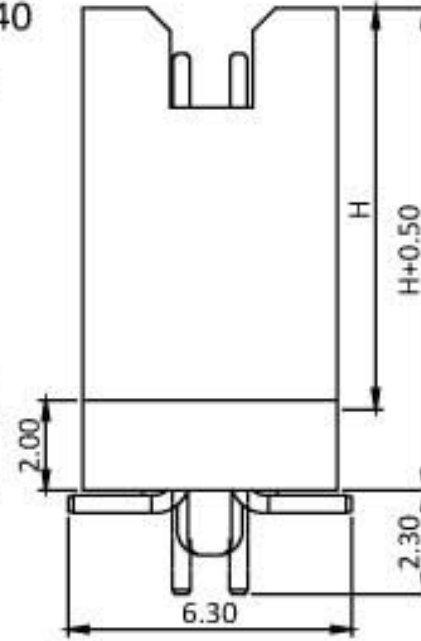
# Box Header 1.27x1.27mm SMT / Straight Type



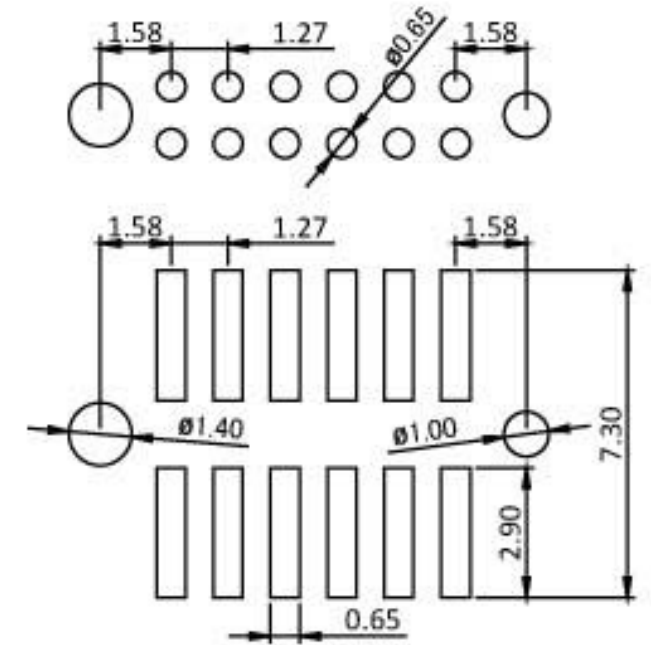
Height: A, N  
Pin 0.30x0.40



Height: B  
Pin 0.40x0.40



Height: C~X  
Pin 0.40x0.40



Recommended PCB Layout  
(PCB TOLERANCE ±0.05)

Plastic Height  
(Code: G For Straight Only)

Code	Height	Code	Height	Code	Height	Code	Height	Code	Height	Code	Height
A	5.70	E	10.30	I	12.20	M	17.30	R	10.40	V	17.60
B	7.30	F	11.00	J	13.50	N	3.80	S	10.70	W	18.60
C	9.40	G	11.20	K	14.20	P	9.00	T	14.10	X	18.90
D	9.60	H	11.50	L	15.20	Q	10.20	U	15.60		