

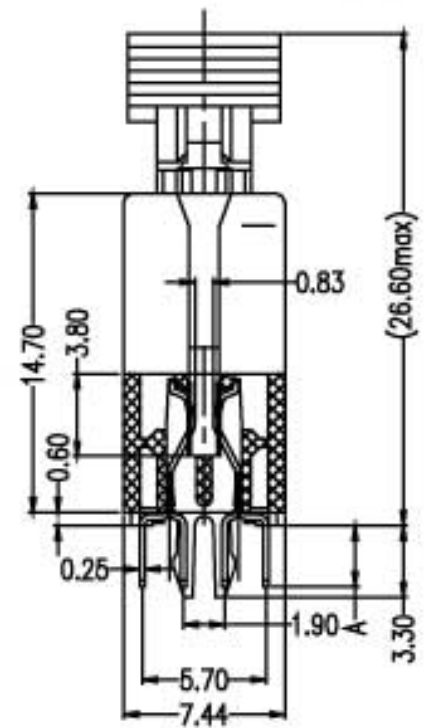
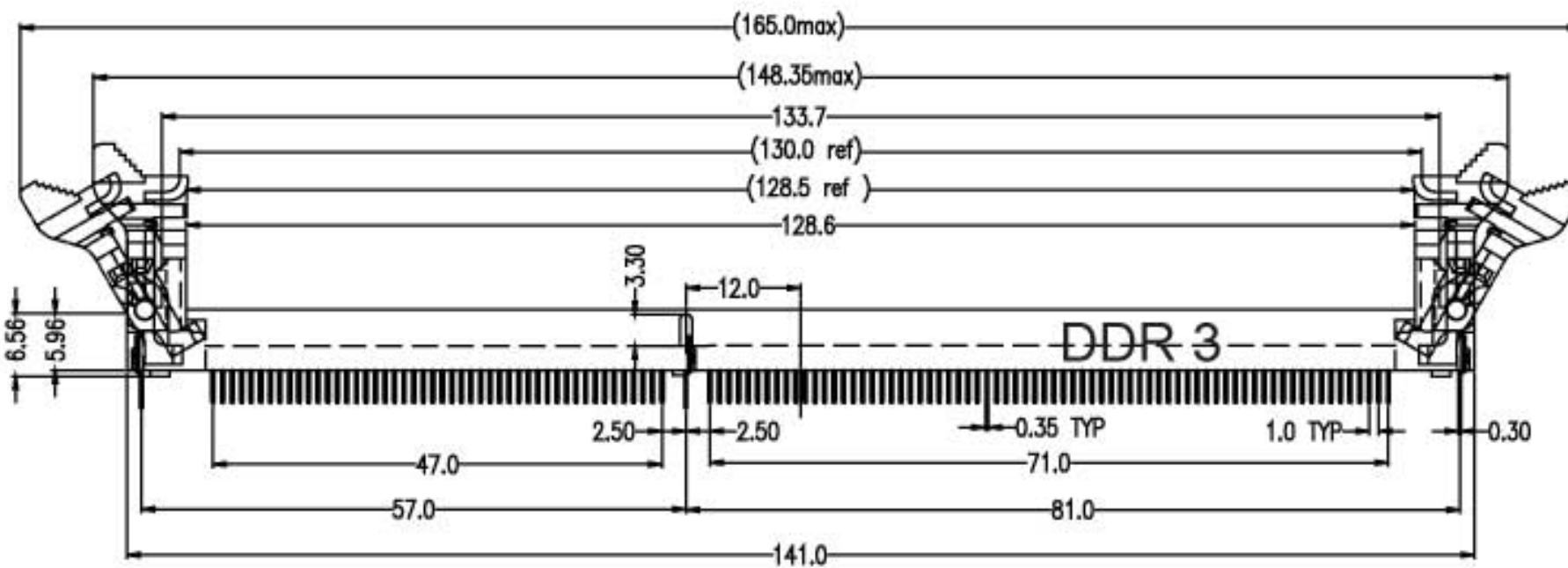
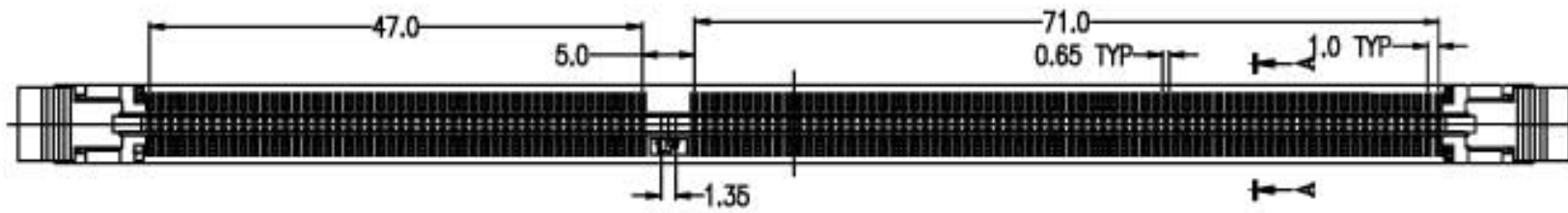
# DDR3 Socket Straight Type

## Specifications

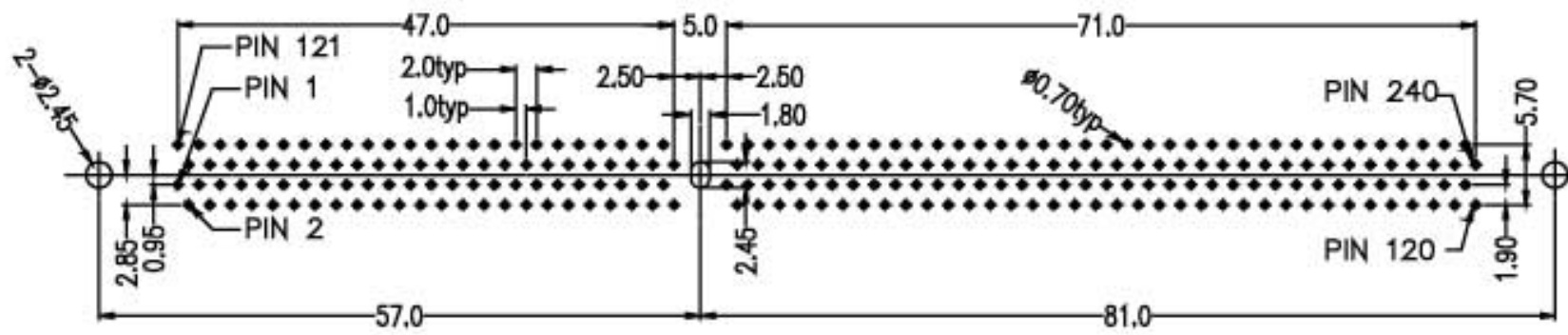
Insulation Resistance: 1000MΩ Min.  
 Contact Resistance: 30mΩ Max.  
 Dielectric Voltage: 500V AC for one minute  
 Operation Temperature: -55°C to +105°C

## Material

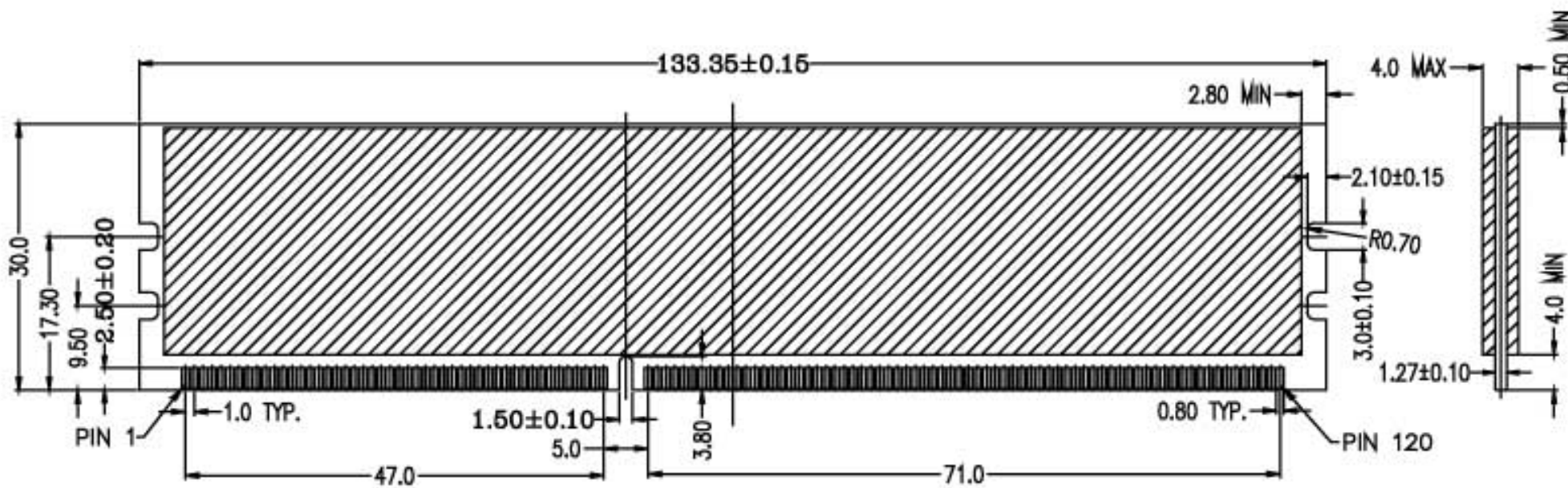
Insulator: Polyester, UL 94V-0  
 ©Standard: Nylon 66  
 Terminal: Copper Alloy  
 Plated: Selective Plated



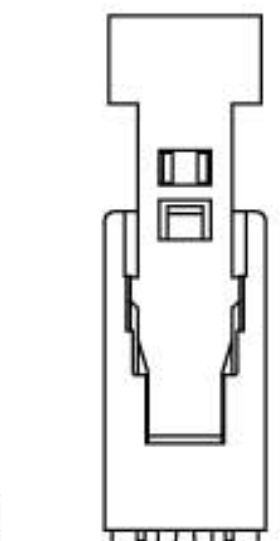
SECT:A-A  
 SCALE:2:1



PCB LAYOUT



RECOMMENDED MODULE LAYOUT



SCALE:2:1