

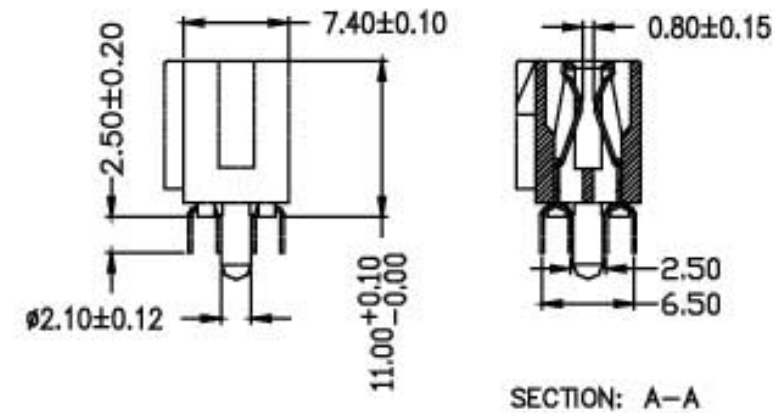
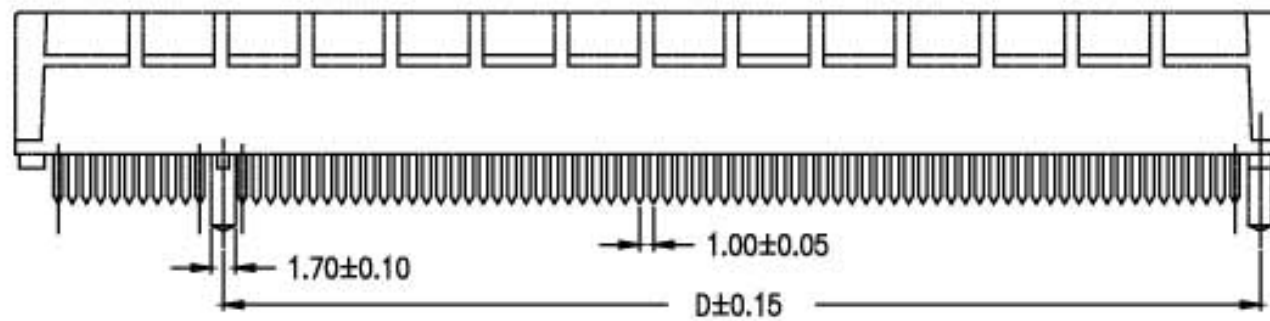
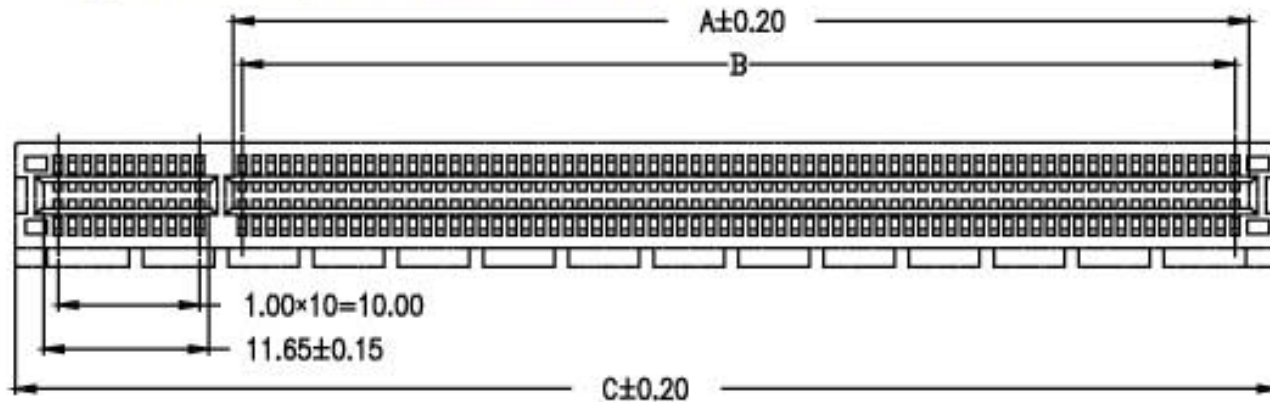
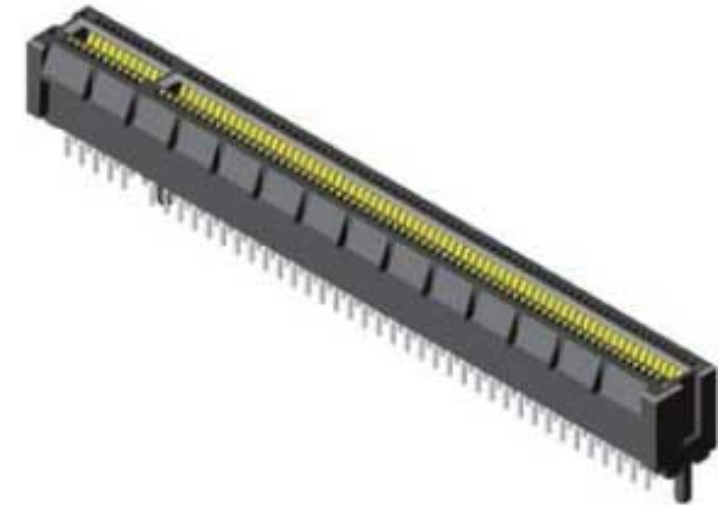
# PCI 1.0mm Straight Type

## Specifications

Current Rate: 3 AMP  
 Insulation Resistance: 1000MΩ Min.  
 Contact Resistance: 30mΩ Max.  
 Dielectric Voltage: 500V AC for one minute  
 Operation Temperature: -55°C to +85°C

## Material

Insulator: Polyester, UL 94V-0  
 ©Standard: Nylon 66  
 Terminal: Copper Alloy  
 Plated: Selective Plated



No. of Contacts	Dimension			
	A	B	C	D
36	7.65	6.00	25.00	9.15
64	21.65	20.00	39.00	23.15
98	38.65	37.00	56.00	40.15
164	71.65	70.00	89.00	73.15