

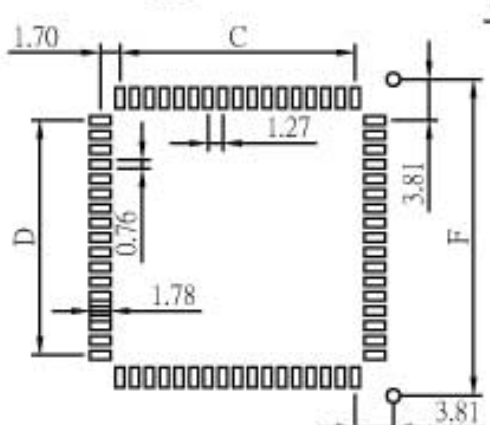
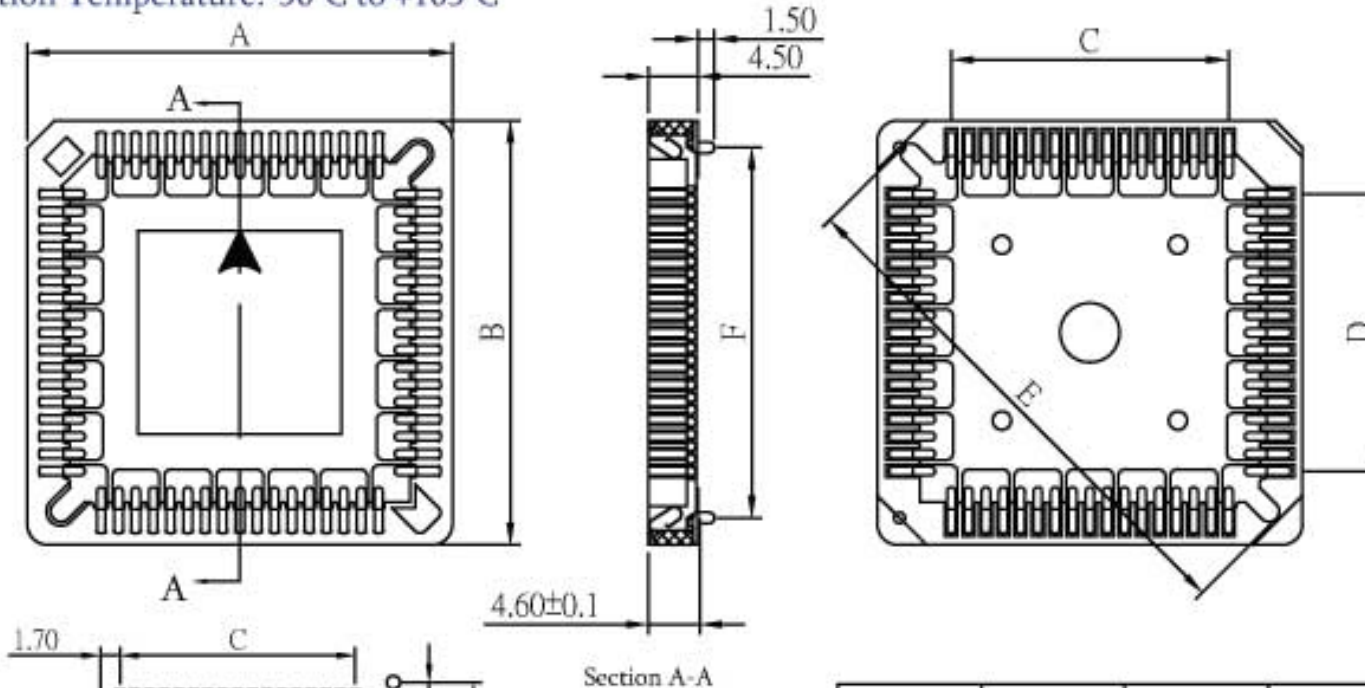
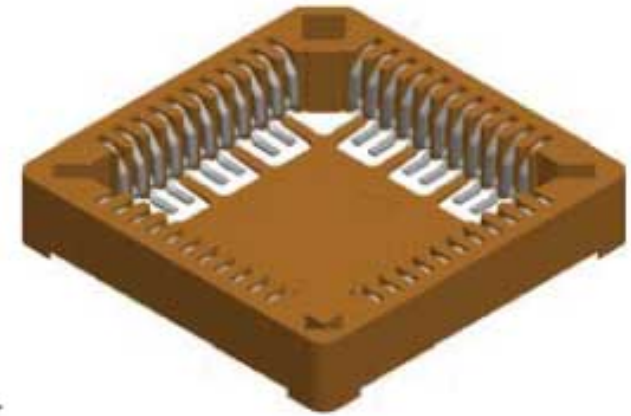
PLCC Socket Surface Mount / Thin Type

Specifications

Current Rate: 1 AMP
 Insulation Resistance: 1000MΩ Min.
 Contact Resistance: 30mΩ Max.
 Dielectric Voltage: 600V AC for one minute
 Operation Temperature: -50°C to +105°C

Material

Insulator: Hi-temp, UL 94V-0
 ◎Standard: PPS
 Terminal: Copper Alloy
 Plated: 150u" Tin over 40u" Ni



No. of Contacts	A±0.2	B±0.2	C±0.1	D±0.1	E±0.2	F±0.2
20	15.66	15.66	5.08	5.08	17.28	12.78
28	18.20	18.20	7.62	7.62	20.87	15.24
32	18.20	20.74	7.62	10.16	22.60	17.78
44	23.28	23.28	12.70	12.70	28.30	20.32
52	25.82	25.82	15.24	15.24	31.65	22.86
68	30.90	30.90	20.32	20.32	38.83	27.94
84	35.98	35.98	25.40	25.40	46.00	33.02