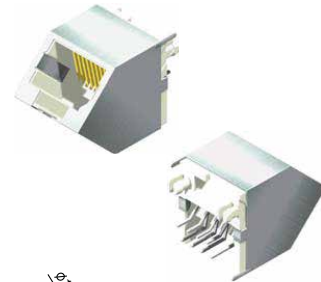
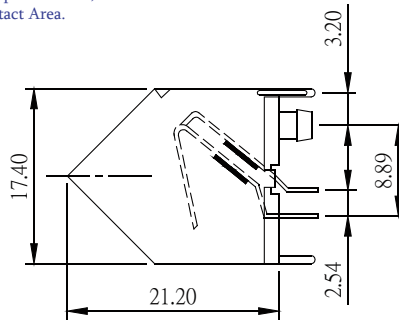
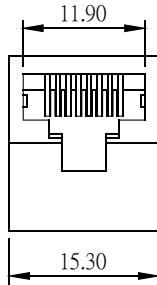


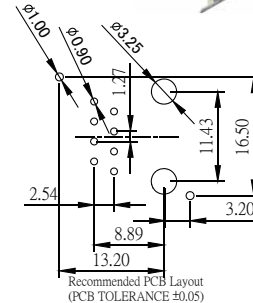
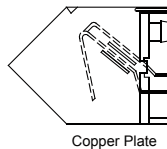
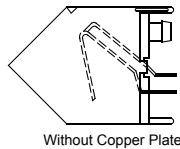
Modular Jack Shielded Side Entry H=21.2 W=17.4

Material & Finish

Housing: Glass Fiber, P.B.T, UL 94V-0, Black
 Contact :0.35mm Thickness Phosphor Bronze,
 Gold Plated Over Nickel on Contact Area.



Copper Plate With Mylar Inside



Order Information

S 5 1 0

- 8 P

8 C

- X X

X - L

Number of position (8P)

Number of contact (8C)

Gold Plating
 GA:6u*
 GB:15u*
 GC:30u*
 GD:50u*

W:White Insulator

1:Without Copper Plate
 2:Copper Plate Inside
 3:Copper Plate with Mylar Inside

L:RoHS + PBT