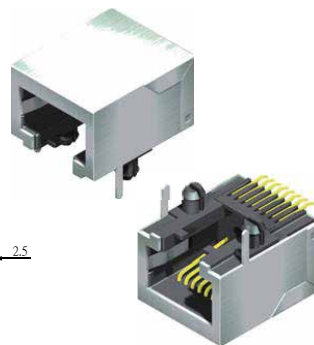
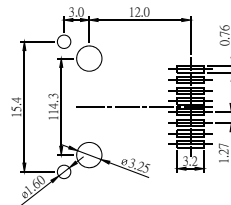
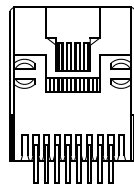
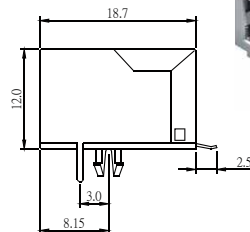
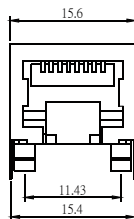


Modular Jack SMT Type Single Port H=12.0 W=18.7

Material & Finish

Housing: Glass Fiber, Nylon 9T, UL 94V-0, Black
 Contact :0.35mm Thickness Phosphor Bronze,
 Gold Plated Over Nickel on Contact Area.



Recommended PCB Layout
 (PCB TOLERANCE ±0.05)

Order Information

