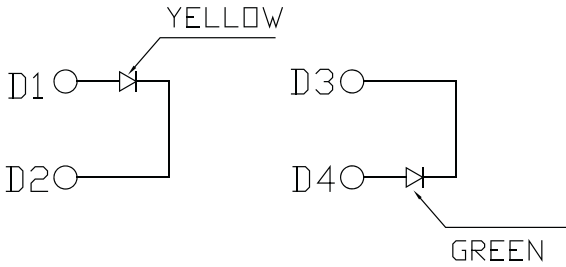
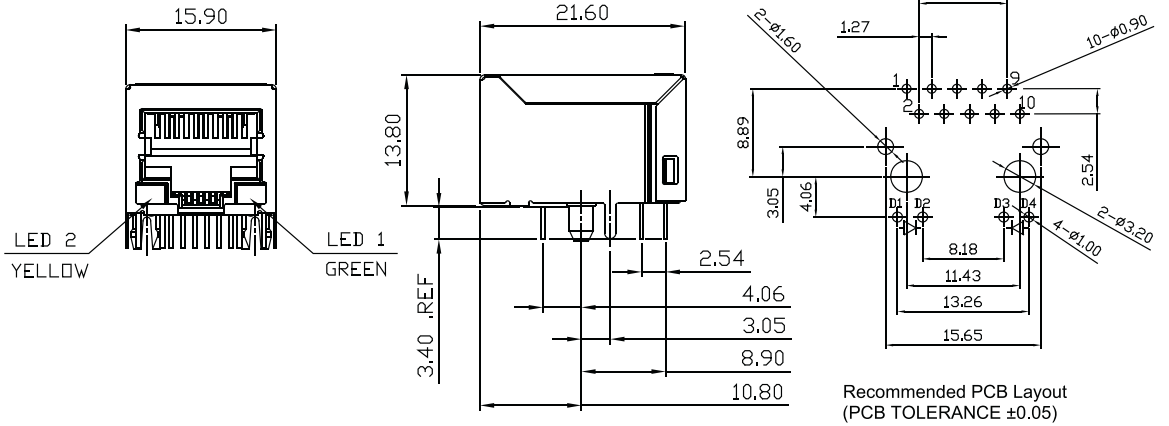


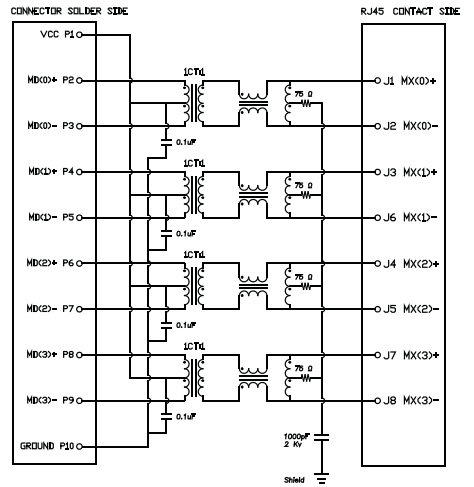
Modular Jack Shielded Side Entry With LED Transformer H=13.8 W=21.6

Material&Finish

Housing:Glass Fiber, PBT, UL 94V-0
 Contact :0.35mm Thickness Phosphor Bronze,
 Gold Plated Over Nickel on Contact Area.



Color	Lens Color	VF(V) 820mA		Iv(mcd) @10mA		Viewing angle 2θ 1/2	If (mA)	Peak wave Length (P/nm)
		Min	Max	Min	Typ			
Yellow	Yellow Diffused	1.7	2.8	3.0	6.0	116	20	585
Green	Green Diffused	1.7	2.8	3.5	6.0	116	30	565



ORDER INFORMATION

